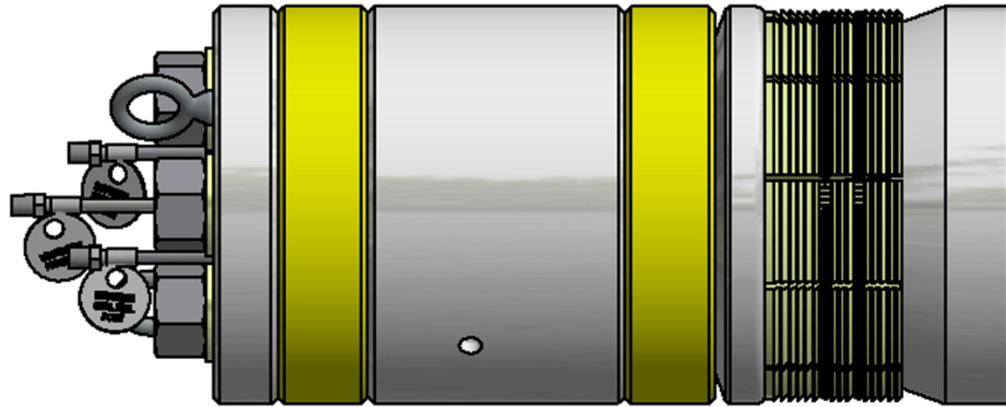


GripTight® Isolation Plug Test Plug Standard Sizes

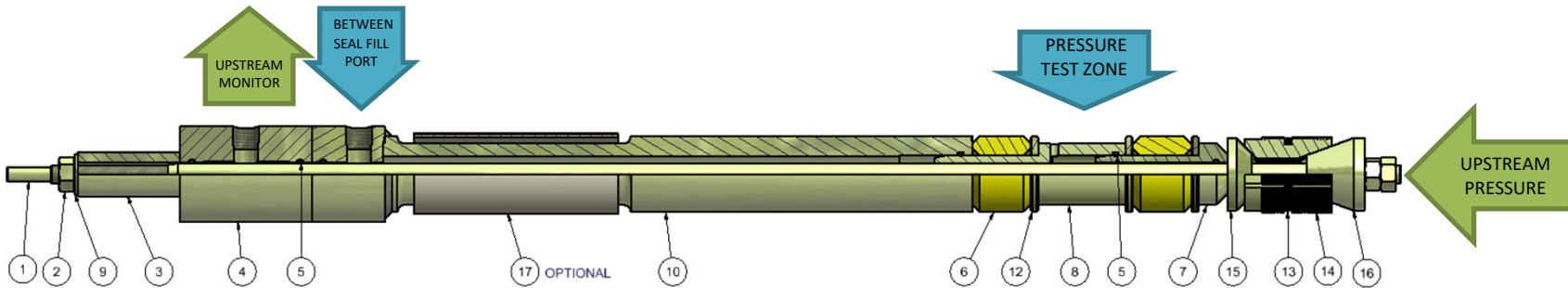


PIPE SIZE	Pipe SCH											
	5	10	20	30	40	60	80	100	120	140	160	XXS
3/4"	GTDBB-075P5	GTDBB-075P10	N/A	N/A	GTDBB-075P40	N/A	GTDBB-075P80	N/A	N/A	N/A	GTDBB-075P160	GTDBB-075PXXS
1"	GTDBB-1P5	GTDBB-1P10	N/A	N/A	GTDBB-1P40	N/A	GTDBB-1P80	N/A	N/A	N/A	GTDBB-1P160	GTDBB-1PXXS
1-1/4"	GTDBB-125P5	GTDBB-125P10	N/A	N/A	GTDBB-125P40	N/A	GTDBB-125P80	N/A	N/A	N/A	GTDBB-125P160	GTDBB-125PXXS
1-1/2"	GTDBB-15P5	GTDBB-15P10	N/A	N/A	GTDBB-15P40	N/A	GTDBB-15P80	N/A	N/A	N/A	GTDBB-15P160	GTDBB-15PXXS
2"	GTDBB-2P5	GTDBB-2P10	N/A	N/A	GTDBB-2P40	N/A	GTDBB-2P80	N/A	N/A	N/A	GTDBB-2P160	GTDBB-2PXXS
2-1/2"	GTDBB-25P5	GTDBB-25P10	N/A	N/A	GTDBB-25P40	N/A	GTDBB-25P80	N/A	N/A	N/A	GTDBB-25P160	GTDBB-25PXXS
3"	GTDBB-3P5	GTDBB-3P10	N/A	N/A	GTDBB-3P40	N/A	GTDBB-3P80	N/A	N/A	N/A	GTDBB-3P160	GTDBB-3PXXS
4"	GTDBB-4P5	GTDBB-4P10	N/A	N/A	GTDBB-4P40	N/A	GTDBB-4P80	N/A	GTDBB-4P120	N/A	GTDBB-4P160	GTDBB-4PXXS
6"	GTDBB-6P5	GTDBB-6P10	N/A	N/A	GTDBB-6P40	N/A	GTDBB-6P80	N/A	GTDBB-6P120	N/A	GTDBB-6P160	GTDBB-6PXXS
8"	GTDBB-8P5	GTDBB-8P10	GTDBB-8P20	GTDBB-8P30	GTDBB-8P40	GTDBB-8P60	GTDBB-8P80	GTDBB-8P100	GTDBB-8P120	GTDBB-8P140	GTDBB-8P160	GTDBB-8PXXS
10"	GTDBB-10P5	GTDBB-10P10	GTDBB-10P20	GTDBB-10P30	GTDBB-10P40	GTDBB-10P60	GTDBB-10P80	GTDBB-10P100	GTDBB-10P120	GTDBB-10P140	GTDBB-10P160	GTDBB-10PXXS
12"	GTDBB-12P5	GTDBB-12P10	GTDBB-12P20	GTDBB-12P30	GTDBB-12P40	GTDBB-12P60	GTDBB-12P80	GTDBB-12P100	GTDBB-12P120	GTDBB-12P140	GTDBB-12P160	GTDBB-12PXXS

GripTight® Isolation Plug Type 1

3/4" – 1-1/4" Test Plug Specifications

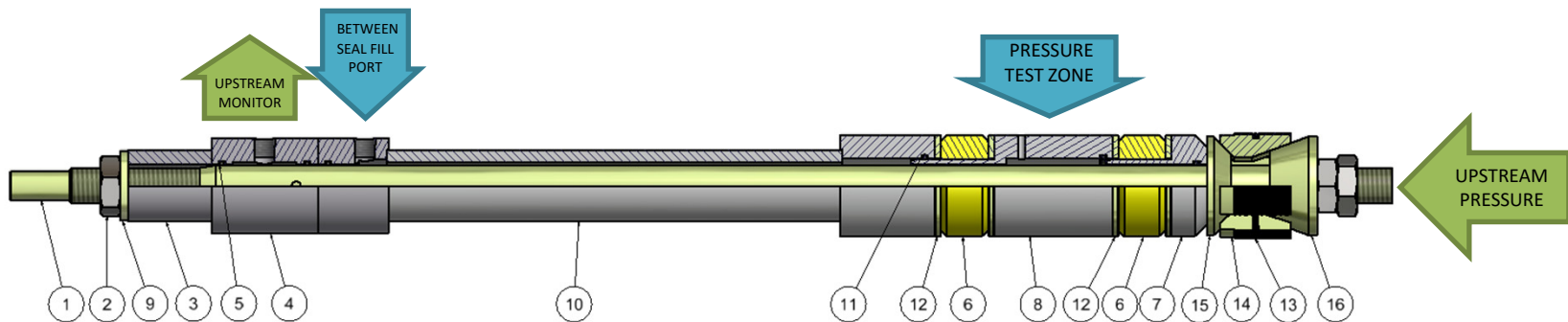
GTDBB Specifications		
Between the Seals Maximum Test Pressure	2250 PsiG	(155 BarG)
Upstream Maximum Pressure	1500 PsiG	(103 BarG)
Operational Temperature Range	-10°F thru 180°F	(-23°C thru 82°C)
Pipe Size Range	3/4" thru 1-1/4" – Various Schedules	
Standard Seal Material	Urethane	
Standard Plug Material	Zinc Plated Steel, Zinc Plated Hardened Steel Grippers	
Compliance with Industry Standard Testing	ASME B16.5, ASME B31.1, ASME B31.3, and ASME PCC-2	



ITEM	SHAFT	HEX NUT	COMP TUBE	UPSTREAM MONITOR ¼ NPT	O-RING (SMALL)	URETHANE SEAL	BOTTOM WASHER	CAVITY BUSHING W/ ¼ NPT PORT	HARDENED WASHER	CENTER TUBE WELDMENT	O-RING (LARGE)	SERRATED WASHER	RETAINING SPRING	GRIPPERS	BACK CONE	FRONT CONE	HEAT RESISTANT TAPE
NUMBER	1	2	3	4	5	6	7	8	9	10	11	12	13	14	15	16	17
QTY	1	3	1	1	4	2	1	1	1	1	2	3	1	VARIOUS	1	1	6"

GripTight® Isolation Plug Type 2 1-1/2" – 3" Test Plug Specifications

GTDBB Specifications		
Between the Seals Maximum Test Pressure	2250 PsiG	(155 BarG)
Upstream Maximum Pressure	1500 PsiG	(103 BarG)
Operational Temperature Range	-10°F thru 180°F	(-23°C thru 82°C)
Pipe Size Range	1-1/2" thru 3" – Various Schedules	
Standard Seal Material	Urethane	
Standard Plug Material	Aluminum, Zinc Plated Hardened Steel Grippers	
Compliance with Industry Standard Testing	ASME B16.5, ASME B31.1, ASME B31.3, and ASME PCC-2	



ITEM	SHAFT	HEX NUT	COMP TUBE	UPSTREAM MONITOR ¼ NPT	O-RING (SMALL)	URETHANE SEAL	BOTTOM WASHER	CAVITY BUSHING W/ ¼ NPT PORT	HARDENED WASHER	CENTER TUBE WELDMENT	O-RING (LARGE)	SERRATED WASHER	RETAINING SPRING	GRIPPERS	BACK CONE	FRONT CONE
NUMBER	1	2	3	4	5	6	7	8	9	10	11	12	13	14	15	16
QTY	1	3	1	1	4	2	1	1	1	1	2	4	1	VARIOUS	1	1



EST Group

GripTight® Isolation Plug

3/4" – 3" Technical Specifications

DC2692 11/13

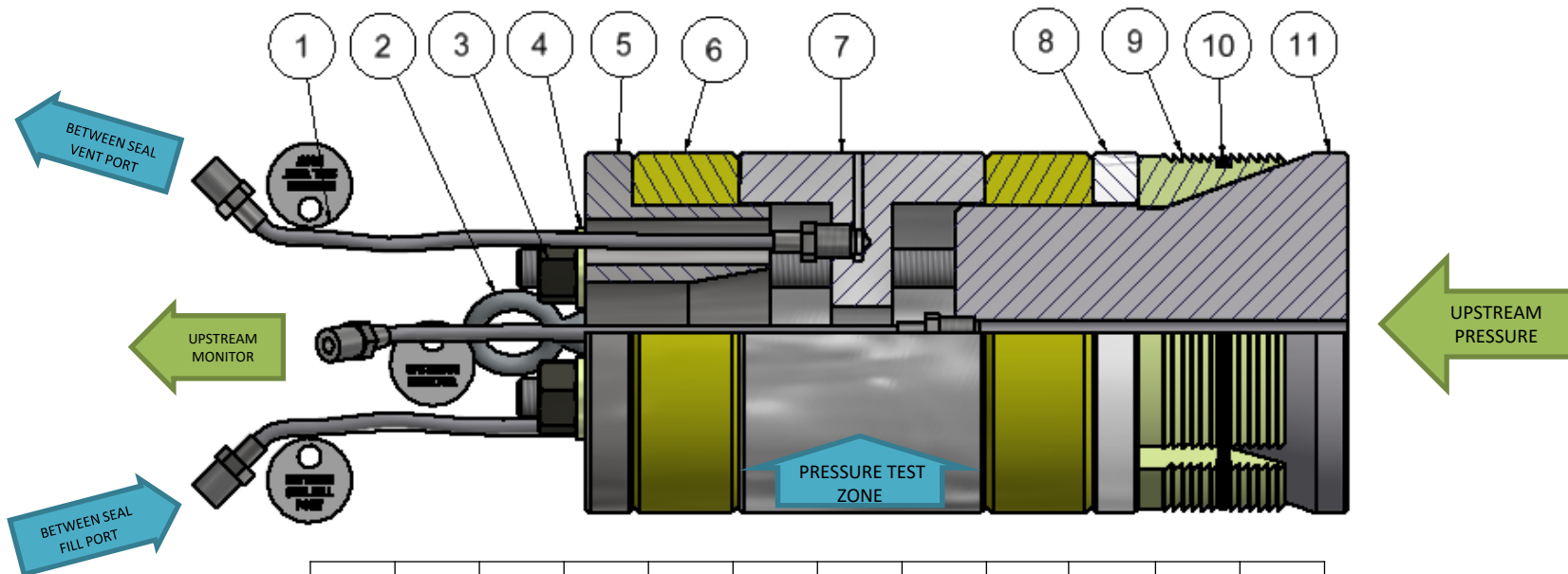
Rev 3 5/17

PAGE 4 OF 9

Part Number	Pipe Size	Pipe SCH	Plug OD [in (mm)]	Plug Type	Clearance Between Plug & Pipe [in (mm)]	Length [in (mm)]	Distance Between Seals [in (mm)]	Approx. Weight [lbs. (kg)]	Normal Installation Torque [ft.-lbs. (N-m)]	Maximum Installation Torque [ft.-lbs. (N-m)]	Hex Nut Size [in]
GTDBB-075P160	¾"	160	0.54 (13.7)	1	0.07 (1.8)	21 ½ (546)	1.50 (38.1)	2.5 (1.1)	1.5 (2.0)	3.0 (4.1)	7/16
GTDBB-075P80	¾"	80	0.65 (16.5)	1	0.09 (2.3)	23 ½ (597)	1.75 (44.5)	2.5 (1.1)	2.5 (3.4)	5.0 (6.8)	7/16
GTDBB-075P40	¾"	40	0.72 (18.3)	1	0.10 (2.5)	23 ½ (597)	1.75 (44.5)	3.0 (1.4)	3.5 (4.7)	6.5 (8.8)	7/16
GTDBB-075P10	¾"	10	0.78 (19.8)	1	0.10 (2.5)	23 ½ (597)	1.75 (44.5)	3.0 (1.4)	4.0 (5.4)	7.0 (9.5)	7/16
GTDBB-1PXXS	1"	XXS	0.54 (13.7)	1	0.06 (1.5)	21 ½ (546)	1.50 (38.1)	2.5 (1.1)	1.5 (2.0)	3.0 (4.1)	7/16
GTDBB-1P160	1"	160	0.72 (18.3)	1	0.10 (2.5)	23 ½ (597)	1.75 (44.5)	3.0 (1.4)	3.5 (4.7)	6.5 (8.8)	7/16
GTDBB-1P80	1"	80	0.84 (21.3)	1	0.12 (3.0)	23 ½ (597)	1.75 (44.5)	3.5 (1.6)	4.0 (5.4)	7.0 (9.5)	7/16
GTDBB-1P40	1"	40	0.93 (23.6)	1	0.12 (3.0)	23 ½ (597)	1.75 (44.5)	3.5 (1.6)	5.0 (6.8)	7.0 (9.5)	7/16
GTDBB-1P10	1"	10	0.98 (24.9)	1	0.12 (3.0)	23 ½ (597)	1.75 (44.5)	5.5 (2.5)	5.0 (6.8)	7.5 (10.2)	7/16
GTDBB-125P160	1 ¼"	160	1.04 (26.4)	1	0.12 (3.0)	24 ¾ (629)	1.75 (44.5)	5.5 (2.5)	8.0 (10.8)	12 (16.3)	½
GTDBB-125P80	1 ¼"	80	1.13 (28.7)	1	0.15 (3.8)	24 ¾ (629)	1.75 (44.5)	5.6 (2.5)	10 (13.6)	13 (17.6)	½
GTDBB-125P40	1 ¼"	40	1.23 (31.2)	1	0.15 (3.8)	24-¾ (629)	1.75 (44.5)	6.2 (2.8)	11 (14.9)	14 (19.0)	½
GTDBB-125P10	1 ¼"	10	1.29 (32.8)	1	0.15 (3.8)	24-¾ (629)	1.75 (44.5)	6.5 (2.9)	12 (16.3)	14 (19.0)	½
GTDBB-125PXXS	1 ¼"	XXS	0.80 (20.3)	1	0.10 (3.8)	24-¾ (629)	1.75 (44.5)	3.5 (1.6)	5.0 (6.8)	7.5 (10.2)	7/16
GTDBB-15P160	1 ½"	160	1.19 (30.2)	2	0.15 (3.8)	27 (686)	2.75 (69.9)	4.2 (1.9)	15 (20)	20 (27)	¾
GTDBB-15P80	1 ½"	80	1.35 (34.3)	2	0.15 (3.8)	27 (686)	2.75 (69.9)	4.5 (2.0)	15 (20)	20 (27)	¾
GTDBB-15P40	1 ½"	40	1.46 (37.1)	2	0.15 (3.8)	27 (686)	2.75 (69.9)	4.5 (2.0)	15 (20)	20 (27)	¾
GTDBB-15P10	1 ½"	10	1.53 (38.9)	2	0.15 (3.8)	27 (686)	2.75 (69.9)	6.0 (2.7)	20 (27)	30 (41)	¾
GTDBB-2PXXS	2"	XXS	1.35 (34.3)	2	0.15 (3.8)	27 (686)	2.75 (69.9)	6.0 (2.7)	15 (20)	20 (27)	¾
GTDBB-2P160	2"	160	1.53 (38.9)	2	0.16 (4.1)	27 (686)	2.75 (69.9)	6.0 (2.7)	20 (27)	30 (41)	¾
GTDBB-2P80	2"	80	1.76 (44.7)	2	0.18 (4.6)	28 ½ (724)	2.75 (69.9)	6.4 (2.9)	30 (41)	50 (68)	7/8
GTDBB-2P40	2"	40	1.89 (48.0)	2	0.18 (4.6)	28 ½ (724)	2.75 (69.9)	6.4 (2.9)	30 (41)	50 (68)	7/8
GTDBB-2P10	2"	10	1.98 (50.3)	2	0.18 (4.6)	28 ½ (724)	2.75 (69.9)	7.0 (3.2)	35 (47)	60 (81)	7/8
GTDBB-25PXXS	2 ½"	XXS	1.61 (40.9)	2	0.16 (4.1)	27 (686)	2.75 (69.9)	6.4 (2.9)	20 (27)	30 (41)	¾
GTDBB-25P160	2 ½"	160	1.95 (49.5)	2	0.18 (4.6)	28 ½ (724)	2.75 (69.9)	11.0 (5.0)	35 (47)	60 (81)	7/8
GTDBB-25P80	2 ½"	80	2.13 (54.1)	2	0.19 (4.8)	29 (737)	2.75 (69.9)	15.0 (6.8)	60 (81)	90 (122)	1 ¼
GTDBB-25P40	2 ½"	40	2.29 (58.2)	2	0.18 (4.6)	29 (737)	2.75 (69.9)	16.0 (7.3)	60 (81)	90 (122)	1 ¼
GTDBB-25P10	2 ½"	10	2.46 (62.5)	2	0.18 (4.6)	33 5/8 (854)	2.75 (69.9)	20.0 (9.0)	100 (136)	150 (203)	1 13/16
GTDBB-3PXXS	3"	XXS	2.13 (54.1)	2	0.17 (4.3)	29 (737)	2.75 (69.9)	19.0 (8.6)	60 (81)	90 (122)	1 ¼
GTDBB-3P160	3"	160	2.46 (62.5)	2	0.17 (4.3)	33 5/8 (854)	2.75 (69.9)	20.0 (9.0)	100 (136)	150 (203)	1 13/16
GTDBB-3P80	3"	80	2.69 (68.3)	2	0.21 (5.3)	33 5/8 (854)	2.75 (69.9)	20.6 (9.3)	150 (203)	200 (271)	1 13/16
GTDBB-3P40	3"	40	2.86 (72.6)	2	0.21 (5.3)	33 5/8 (854)	2.75 (69.9)	21.4 (9.7)	150 (203)	200 (271)	1 13/16
GTDBB-3P10	3"	10	3.04 (77.2)	2	0.22 (5.6)	33 5/8 (854)	2.75 (69.9)	23.0 (10.4)	175 (237)	250 (339)	1 13/16

GripTight® Isolation Plug - Multishaft 4" – 6" Test Plug Specifications

GTDBB Specifications		
Between the Seals Maximum Test Pressure	2250 PsiG	(155 BarG)
Upstream Maximum Pressure	1500 PsiG	(103 BarG)
Operational Temperature Range	-10°F thru 180°F	(-23°C thru 82°C)
Pipe Size Range	4" thru 6" – Various Schedules	
Standard Seal Material	Urethane	
Standard Plug Material	Aluminum Body, Zinc Plated Steel Grippers	
Compliance with Industry Standard Testing	ASME B16.5, ASME B31.1, ASME B31.3, and ASME PCC-2	



	HOSE	EYE BOLT	NUT	WASHER	NEAR SUPPORT	SEAL	SPACER	COMP WASHER	GRIPPER	SPRING	FAR END ASSY
ITEM#	1	2	3	4	5	6	7	8	9	10	11
QTY	3	1	4	4	1	2	1	1	4	1	1



EST Group

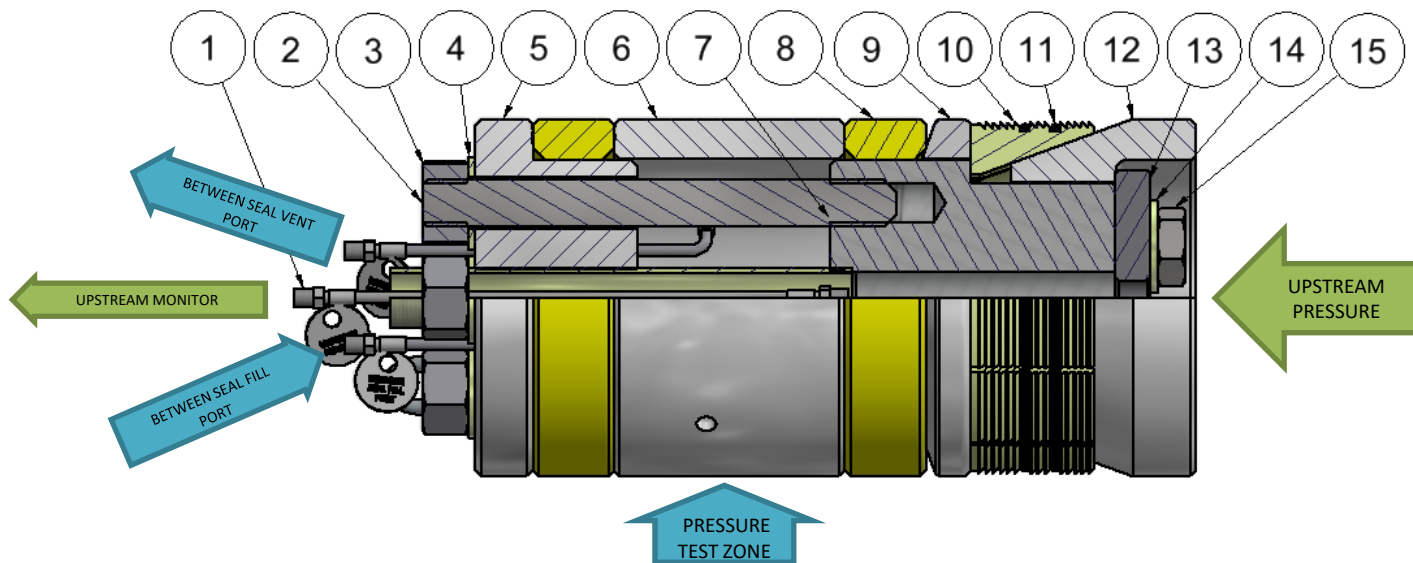
GripTight® Isolation Plug - Multishaft 4" – 6" Technical Specifications

DC2692 11/13
Rev 3 5/17
PAGE 6 OF 9

Sales Part Number	Pipe Size	Pipe SCH	Plug OD [in (mm)]	Clearance Between Plug & Pipe [in (mm)]	Length [in (mm)]	Distance Between Seals [in (mm)]	Fill/Vent NPT	Upstream Monitor NPT	Approx. Weight [lbs. (kg)]	Normal Installation Torque [ft-lbs. (N-m)]	Maximum Installation Torque [ft-lbs. (N-m)]	Hex Nut Size [in]
GTDBB-4PXXS	4"	XXS	3.00 (76.2)	0.15 (3.8)	10 (254)	3-1/2 (89)	1/8	1/8	6 (2.9)	10 (14)	15 (20)	11/16
GTDBB-4P160	4"	160	3.29 (83.6)	0.15 (3.8)	10 (254)	3-1/2 (89)	1/8	1/8	10 (4.6)	15 (20)	25 (34)	11/16
GTDBB-4P120	4"	120	3.48 (88.4)	0.15 (3.8)	10 (254)	3-1/2 (89)	1/8	1/8	12 (5.7)	20 (27)	30 (41)	11/16
GTDBB-4P80	4"	80	3.63 (92.2)	0.20 (5.1)	10 (254)	3-1/2 (89)	1/8	1/8	15 (6.8)	20 (27)	30 (41)	11/16
GTDBB-4P40	4"	40	3.83 (97.3)	0.20 (5.1)	10 (254)	3-1/2 (89)	1/8	1/8	16 (7.3)	20 (27)	30 (41)	11/16
GTDBB-4P10	4"	10S	4.06 (103.1)	0.20 (5.1)	10 (254)	3-1/2 (89)	1/8	1/8	20 (9.0)	20 (27)	30 (41)	11/16
GTDBB-6P160	6"	XXS	4.70 (119.4)	0.20 (5.1)	12-3/8 (314)	4 (102)	1/4	1/4	28 (12.7)	70 (95)	110 (149)	1-1/16
GTDBB-6P160	6"	160	4.99 (126.7)	0.20 (5.1)	12-3/8 (314)	4 (102)	1/4	1/4	32 (14.4)	70 (95)	110 (149)	1-1/16
GTDBB-6P120	6"	120	5.30 (134.6)	0.20 (5.1)	12-3/8 (314)	4 (102)	1/4	1/4	36 (16.2)	80 (109)	120 (163)	1-1/16
GTDBB-6P80	6"	80	5.56 (141.2)	0.20 (5.1)	12-3/8 (314)	4 (102)	1/4	1/4	40 (18.2)	80 (109)	130 (176)	1-1/16
GTDBB-6P40	6"	40	5.87 (149.1)	0.20 (5.1)	12-3/8 (314)	4 (102)	1/4	1/4	42 (19.1)	90 (122)	140 (190)	1-1/16
GTDBB-6P10	6"	10S	6.16 (156.5)	0.20 (5.1)	12-3/8 (314)	4 (102)	1/4	1/4	47 (21.2)	90 (122)	140 (190)	1-1/16

GripTight® Isolation Plug - Multishaft 8" – 24" Test Plug Specifications

GTDBB Specifications		
Between the Seals Maximum Test Pressure	2250 PsiG	(155 BarG)
Upstream Maximum Pressure	1500 PsiG	(103 BarG)
Operational Temperature Range	-10°F thru 180°F	(-23°C thru 82°C)
Pipe Size Range	8" thru 24" – Various Schedules	
Standard Seal Material	Urethane	
Standard Plug Material	Aluminum Body, Zinc Plated Steel Grippers	
Compliance with Industry Standard Testing	ASME B16.5, ASME B31.1, ASME B31.3, and ASME PCC-2	



	HOSE	SHAFT	NUT	WASHER	NEAR SUPPORT	SPACER	FAR SUPPORT	SEAL	COMP WASHER	GRIPPER	SPRING	CONE	RETAINING PLATE	WASHER	BOLT
ITEM#	1	2	3	4	5	6	7	8	9	10	11	12	13	14	15
QTY	3	VARIOUS	VARIOUS	VARIOUS	1	1	1	2	1	VARIOUS	VARIOUS	1	1	VARIOUS	VARIOUS



GripTight® Isolation Plug - Multishaft

8" – 24" Technical Specifications

DC2692 11/13

Rev 3 5/17

PAGE 8 OF 9

EST Group

Sales Part Number	Pipe Size	Pipe SCH	Plug OD [in (mm)]	Clearance Between Plug & Pipe [in (mm)]	Length [in (mm)]	Distance Between Seals [in (mm)]	Fill/Vent NPT	Upstream NPT	Approx. Weight [lb. (kg)]	Normal Installation Torque	Maximum Installation Torque	Hex Nut Size [in]
										[ft.-lbs. (N-m)]	[ft.-lbs. (N-m)]	
GTDBB-8P160	8"	160	6.56 (167)	0.25 (6.4)	15-3/4 (400)	5 (127)	1/4	1/4	54 (25)	125 (169)	200 (271)	1 - 7/16
GTDBB-8PXXS	8"	XXS	6.63 (168)	0.25 (6.4)	15-3/4 (400)	5 (127)	1/4	1/4	55 (25)	125 (169)	200 (271)	1 - 7/16
GTDBB-8P140	8"	140	6.75 (171)	0.25 (6.4)	15-3/4 (400)	5 (127)	1/4	1/4	56 (26)	125 (169)	200 (271)	1 - 7/16
GTDBB-8P120	8"	120	6.94 (176)	0.25 (6.4)	15-3/4 (400)	5 (127)	1/4	1/4	59 (27)	125 (169)	200 (271)	1 - 7/16
GTDBB-8P100	8"	100	7.19 (183)	0.25 (6.4)	15-3/4 (400)	5 (127)	1/4	1/4	63 (28)	125 (169)	200 (271)	1 - 7/16
GTDBB-8P80	8"	80	7.38 (187)	0.25 (6.4)	15-3/4 (400)	5 (127)	1/4	1/4	66 (30)	150 (203)	225 (305)	1 - 7/16
GTDBB-8P60	8"	60	7.56 (192)	0.25 (6.4)	15-3/4 (400)	5 (127)	1/4	1/4	69 (31)	175 (237)	250 (339)	1 - 5/8
GTDBB-8P40	8"	40/STD	7.73 (196)	0.25 (6.4)	15-3/4 (400)	5 (127)	1/4	1/4	70 (32)	175 (237)	250 (339)	1 - 5/8
GTDBB-8P20	8"	20	7.88 (200)	0.25 (6.4)	15-3/4 (400)	5 (127)	1/4	1/4	75 (34)	175 (237)	250 (339)	1 - 5/8
GTDBB-8P10	8"	10S	8.08 (205)	0.25 (6.4)	15-3/4 (400)	5 (127)	1/4	1/4	79 (36)	175 (237)	250 (339)	1 - 5/8
GTDBB-10P160	10"	160	8.25 (210)	0.25 (6.4)	16-1/8 (410)	5 (127)	1/4	1	82 (37)	200 (271)	275 (373)	1 - 5/8
GTDBB-10PXXS	10"	XXS	8.50 (216)	0.25 (6.4)	16-1/8 (410)	5 (127)	1/4	1	88 (40)	200 (271)	275 (373)	1 - 5/8
GTDBB-10P100	10"	100	9.06 (230)	0.25 (6.4)	16-1/8 (410)	5 (127)	1/4	1	101 (46)	200 (271)	275 (373)	1 - 5/8
GTDBB-10P80	10"	80	9.31 (236)	0.25 (6.4)	16-1/8 (410)	5 (127)	1/4	1	110 (50)	200 (271)	275 (373)	1 - 5/8
GTDBB-10PXS	10"	60/XS	9.50 (241)	0.25 (6.4)	16-1/8 (410)	5 (127)	1/4	1	113 (51)	200 (271)	275 (373)	1 - 5/8
GTDBB-10P40	10"	40/STD	9.77 (248)	0.25 (6.4)	16-1/8 (410)	5 (127)	1/4	1	115 (52)	225 (305)	300 (407)	1 - 5/8
GTDBB-10P10	10"	10S	10.17 (258)	0.25 (6.4)	16-1/8 (410)	5 (127)	1/4	1	133 (61)	225 (305)	300 (407)	1 - 5/8
GTDBB-12P160	12"	160	9.75 (248)	0.38 (9.7)	17 (432)	5 (127)	1/4	1	120 (55)	200 (271)	250 (339)	1 - 5/8
GTDBB-12PXXS	12"	XXS	10.37 (264)	0.38 (9.7)	17 (432)	5 (127)	1/4	1	140 (64)	200 (271)	250 (339)	1 - 5/8
GTDBB-12P80	12"	80	11.00 (279)	0.38 (9.7)	17 (432)	5 (127)	1/4	1	160 (73)	200 (271)	250 (339)	1 - 5/8
GTDBB-12P40	12"	40	11.62 (295)	0.32 (8.1)	17 (432)	5 (127)	1/4	1	165 (75)	225 (305)	275 (373)	1 - 5/8
GTDBB-12P40	12"	STD	11.62 (295)	0.38 (9.7)	17 (432)	5 (127)	1/4	1	165 (75)	225 (305)	275 (373)	1 - 5/8
GTDBB-14P80	14"	80	12.12 (308)	0.38 (9.7)	18 (457)	6-1/2 (165)	1/4	2	230 (105)	225 (305)	275 (373)	1 - 5/8
GTDBB-14P40	14"	40	12.74 (324)	0.38 (9.7)	18 (457)	6-1/2 (165)	1/4	2	238 (108)	225 (305)	275 (373)	1 - 5/8
GTDBB-14PSTD	14"	30/STD	12.87 (327)	0.38 (9.7)	18 (457)	6-1/2 (165)	1/4	2	253 (115)	225 (305)	275 (373)	1 - 5/8
GTDBB-16P160	16"	160	12.43 (316)	0.38 (9.7)	19-1/2 (495)	6-1/2 (165)	1/4	2	237 (108)	200 (271)	250 (339)	1 - 5/8
GTDBB-16P80	16"	80	13.93 (354)	0.38 (9.7)	19-1/2 (495)	6-1/2 (165)	1/4	2	310 (141)	200 (271)	250 (339)	1 - 5/8
GTDBB-16P40	16"	40/XS	14.62 (371)	0.38 (9.7)	19-1/2 (495)	6-1/2 (165)	1/4	2	325 (148)	225 (305)	275 (373)	1 - 5/8
GTDBB-16PSTD	16"	30/STD	14.87 (378)	0.38 (9.7)	19-1/2 (495)	6-1/2 (165)	1/4	2	345 (157)	250 (339)	300 (407)	1 - 5/8
GTDBB-18P80	18"	80	15.74 (400)	0.38 (9.7)	21 (433)	6-1/2 (165)	1/4	2	410 (186)	250 (339)	300 (407)	1 - 5/8
GTDBB-18P40	18"	40	16.50 (419)	0.38 (9.7)	21 (433)	6-1/2 (165)	1/4	2	430 (195)	250 (339)	300 (407)	1 - 5/8
GTDBB-18PSTD	18"	STD	16.87 (428)	0.38 (9.7)	21 (433)	6-1/2 (165)	1/4	2	464 (211)	275 (373)	325 (441)	1 - 5/8
GTDBB-20P80	20"	80	17.56 (446)	0.38 (9.7)	22 (559)	6-1/2 (165)	1/4	2	520 (236)	225 (305)	275 (373)	1 - 5/8
GTDBB-20P40	20"	40	18.43 (468)	0.38 (9.7)	22 (559)	6-1/2 (165)	1/4	2	546 (546)	175 (237)	225 (305)	1 - 5/8
GTDBB-20PSTD	20"	20/STD	18.87 (479)	0.38 (9.7)	22 (559)	6-1/2 (165)	1/4	2	612 (248)	225 (305)	275 (373)	1 - 5/8
GTDBB-24P80	24"	80	21.18 (538)	0.38 (9.7)	23-1/2 (597)	6-1/2 (165)	1/4	2	860 (390)	275 (373)	325 (441)	1 - 5/8
GTDBB-24P40	24"	40	22.24 (565)	0.38 (9.7)	23-1/2 (597)	6-1/2 (165)	1/4	2	900 (410)	300 (407)	350 (475)	1 - 5/8
GTDBB-24PSTD	24"	20/STD	22.87 (581)	0.38 (9.7)	23-1/2 (597)	6-1/2 (165)	1/4	2	990 (451)	275 (373)	325 (441)	1 - 5/8

GripTight® Isolation Plug Technical References

- DC2689 – EST Group Operating Procedures for 3/4” thru 3” GripTight Isolation Test Plug
- DC2690 – EST Group Operations Procedures for 4” thru 12” GripTight Isolation Test Plug
- DC2692– GripTight Isolation Test Plug Technical Specification
- DC8018 – EST Group GripTight ISO Test Plug Product Brochure
- DC8079 – EST Group GripTight ISO Test Plug Fact Sheet
- ASME B16.5 – Pipe Flanges and Flanged Fittings
- ASME B31.1 – Power Piping
- ASME B31.3 – Process Piping
- ASME PCC-2 – Repair of Pressure Equipment and Piping

Questions? Contact EST Group Customer Service at any of the following locations.



EST Group

www.cw-estgroup.com

North, Central & South America

EST Group Corporate Office
2701 Township Line Road
Hatfield, PA 19440-1770 USA
P: +1.215.721.1100
+1.800.355.7044
F: +1.215.721.1101
est-info@curtisswright.com

Europe/ Middle East/ Africa

EST Group B.V.
Hoorn 312a
2404 HL Alphen aan den Rijn
The Netherlands
P: +31.172.418841
F: +31.172.418849
est-emea@curtisswright.com

China

P: +86.400.636.5077
est-china@curtisswright.cn

Singapore

P: +65.3158.5052
est-asia@curtisswright.com