

Pop-A-Plug® CPI/Perma Heat Exchanger Tube Plugs

Safe & Reliable Solution to Seal Leaking Heat Exchangers & Condensers

Resistant to thermal cycling and able to provide a seal that's helium-leak tight, Pop-A-Plug CPI/Perma Tube Plugs are the safe, effective, and reliable solution for heat exchanger tube leaks. Pop-A-Plug CPI/Perma Tube Plugs are rated to 1000 PsiG (68.9 BarG), and install in minutes. Their broad expansion range fits multiple gauges reducing inventory and costs. Controlled and repeatable installation minimizes installer fatigue and protects against damage to tubesheet ligaments and adjacent tubesheet joints, extending the life of heat exchangers and reducing costs for retubing. Kits include ten (10) plugs and one (1) Go/No-Go Gage.

Pressure Rating

1000 PsiG (68.9 BarG)

Higher pressures available upon request

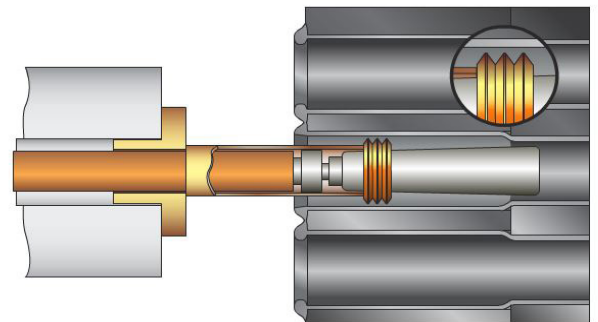
Size Range

0.472" to 2.067" (11.99mm to 52.5mm) Tube ID

Larger/smaller sizes available upon request

Features & Benefits

- Eliminates need for welding or explosives
- Simple hydraulic installation significantly reduces turnaround/down time
- Provides Helium leak tight seal to 1×10^{-6} cc/sec
- Identified as a recommended tube plugging method in ASME PCC-2
- Metal to metal seal will not leak or degrade like elastomer plugs
- Accommodates Through-the-Tube Plugging applications
- Lowest lifecycle cost compared to alternative tube plugging methods
- 24/7 Emergency manufacturing service available



For additional installation and sizing information, please reference:

- [DC1220 - Pop-a-Plug CPI/Perma Near End Installation Procedure](#)
- [DC4015 - Pop-a-Plug CPI/Perma Through-the-Tube Installation Procedure](#)