

Vibra-Proof Condenser Plugs

The Condenser Plugs that won't vibrate loose

Vibra-Proof Condenser Plugs are made with corrosion resistant materials. The design and construction of these tubes makes plugging defective tubes a simple, cost effective procedure.

- **Plug sizes 0.28 - 0.47**
All stainless steel construction, positioning washer support rod and hex compression nut.
- **Plug sizes 0.50 - 1.28**
All brass construction, positioning washer support, compression washer, support rod and hex compression nut.
- **Sized to fit your tube ID**
Condensers plugs available in sizes ranging from 0.28" to 1.31" (7.1 mm to 33.2 mm)
- **Optional materials available**
Please contact your EST Group Customer Service Representative.



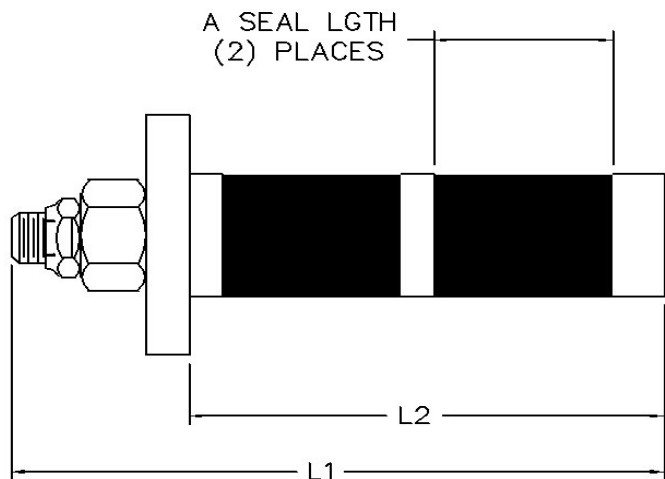
Ordering Instructions

Please provide the following information when placing your order:

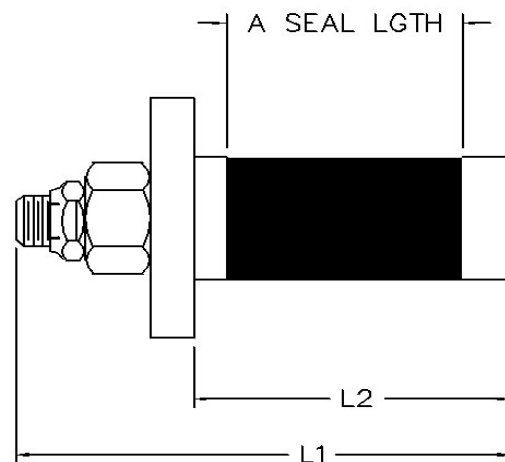
- **Tube size and wall thickness**
- **Tube material**
- **Maximum operating pressure**
- **Temperature**

EST Group serves the power generation, refining, chemical, pharmaceutical and offshore industries worldwide. QA Program certified to ISO-9001.

Can be supplied under ANSI N45.2, NQA-1, and 10CFR50 Appendix B



Sizes 0.28 - 0.83



Sizes 0.87 - 1.28

| TUBE ID RANGE IN (MM) | SHAFT OD IN (MM) | A IN (MM) | L1 IN (MM) | L2 IN (MM) | CONSTRUCTION MATERIAL | MAXIMUM OPERATING PRESSURE PSIG (BARG) |
|--------------------------------|---------------------|------------------|--------------------|------------------|-----------------------|---|
| 0.28" - 0.49" (7.1 - 12.6) | 1/8" (3.2) | 1/2" (12.7) | 1 13/16" (46.1) | 1 1/2" (38.1) | Stainless Steel | 150 (10.3) |
| 0.50" - 0.86" (12.7 - 22.1) | 1/4" (6.4) | 1/2" (12.7) | 2 1/8" (54) | 1 1/2" (38.1) | Brass | 150 (10.3) |
| 0.87" - 1.30" (22.1 - 33.2) | 3/8" (9.5) | 1 1/4" (31.8) | 2 1/2" (63.5) | 1 5/8" (41.3) | Brass | 150 (10.3) |

**Recommended Vibra-Proof Plug Size for Roller Expanded Tubes
(Part Number = VPC-XXXX-N)**

| BWG | TUBE OD (XXXX) | | | | | | | | |
|---------|----------------|------|------|------|------|--------|--------|--------|--------|
| | 1/4" | 5/8" | 3/4" | 7/8" | 1" | 1 1/8" | 1 1/4" | 1 3/8" | 1 1/2" |
| 8 | | 0030 | 0043 | 0056 | 0070 | 0081 | 0093 | 0106 | 0018 |
| 9 | | 0033 | 0047 | 0060 | 0072 | 0083 | 0097 | 0110 | 0122 |
| 10 | | 0037 | 0050 | 0062 | 0075 | 0087 | 0100 | 0112 | 0126 |
| 11 | 0028 | 0040 | 0053 | 0065 | 0078 | 0090 | 0103 | 0115 | 0128 |
| 12 | 0030 | 0043 | 0053 | 0068 | 0078 | 0093 | 0103 | 0118 | 0128 |
| 13 | 0033 | 0043 | 0056 | 0068 | 0081 | 0093 | 0106 | 0118 | |
| 14 | 0033 | 0047 | 0060 | 0072 | 0083 | 0097 | 0110 | 0122 | |
| 15 | 0037 | 0047 | 0062 | 0072 | 0087 | 0097 | 0112 | 0122 | |
| 16 | 0037 | 0050 | 0062 | 0075 | 0087 | 0100 | 0112 | 0122 | |
| 17 | 0040 | 0050 | 0062 | 0075 | 0087 | 0100 | 0112 | 0126 | |
| 18 | 0040 | 0053 | 0065 | 0078 | 0090 | 0103 | 0115 | 0128 | |
| 19 | 0040 | 0053 | 0065 | 0078 | 0090 | 0103 | 0115 | 0128 | |
| 20 | 0043 | 0056 | 0068 | 0081 | 0093 | 0106 | 0118 | 0128 | |
| 21 - 22 | 0043 | 0056 | 0068 | 0081 | 0093 | 0106 | 0118 | | |
| 23 - 24 | 0043 | 0056 | 0068 | 0083 | 0093 | 0106 | 0118 | | |