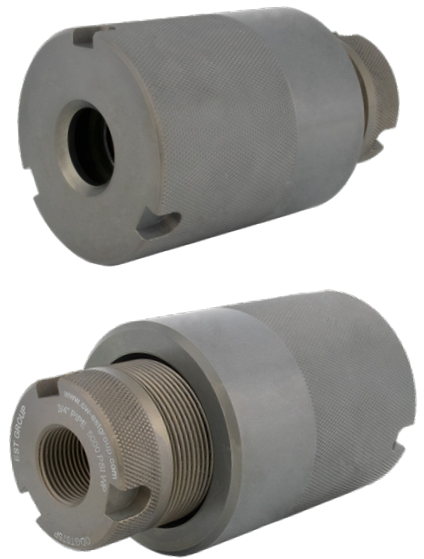


GripTight® OD High Pressure Test Plug

High Pressure Hydrostatic Testing of Pipe & Tubing

Test open or plain end pipe and tube by sealing pipe OD. Patented self-gripping, self-sealing design and reliable dual seal mechanism provides unparalleled speed and safety in hydrotesting. Durable construction; corrosion resistant aluminum body and hardened grippers.



Test Pressure

Up to 5000 PsiG (345 BarG)

Size Range

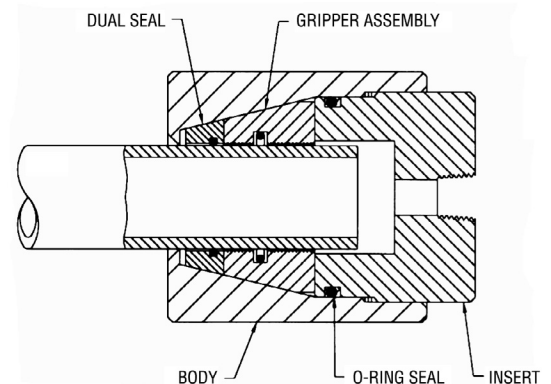
1/4" to 4" (DN8 to DN100)

Standard Seal Material

Urethane with Fluoroelastomer O-ring

Features & Benefits

- Simple spanner wrench installation
- Lightweight aluminum construction
- Patented design prevents damage to seals during installation
- One plug can be used for a range of pipe schedule sizes
- Metric pipe and tubing sizes available



For additional installation and sizing information, please reference:

- [DC2514 - OD GripTight Test Plug Operating Instructions](#)
- [DC8051 - OD Griptight Test Plug Technical Specifications](#)