

3/8” through 24” GripTight MAX® Seal and Gripper Replacement Procedures

- **Curtiss-Wright Proprietary**

This document is the property of and contains information proprietary to Curtiss-Wright and/or its subcontractors and suppliers. It is transmitted to you in confidence and trust and is to be used solely for the purpose for which it is furnished, then returned upon request. You agree to treat this document in strict accordance with the terms and conditions of the agreement under which it was provided to you.

- **Export Compliance (EAR):**

EAR EXPORT CONTROLLED: *This document contains technology subject to the US Export Administration Regulations (EAR). Transfer of this data by any means to a foreign person or foreign entity, whether in the US or abroad may require a license from the US Department of Commerce. Diversion contrary to US law is prohibited. Violations of these export laws and regulations are subject to severe civil and criminal penalties.*

Thank you for choosing to use a GripTight MAX (GTMAX®) Test Plug. Please refer to these instructions when replacing Seals or Gripper Assemblies on GripTight MAX Test Plugs.

Proper maintenance of your GripTight MAX Test Plugs should always include lubrication of the shaft threads where the Hex Nut(s) is/are installed and both sides of the Hardened Washer(s) with antiseize, as well as lubrication of the tapered surface of the cone with an appropriate lubricant such as Molykote® DX paste. The tapered surface should have a light coating lubrication on it, wipe off any excess and ensure the Seal, Gripper Teeth, and the inside of the unit under test are not exposed to any lubricant. Lubrication and inspection should be performed prior to each usage. GripTight MAX Test Plugs should be stored in an area out of direct exposure to sun or ultraviolet (UV) light. Excessive heat or UV light exposure will damage and prematurely degrade the Seal(s).

WARNING

- ⚠ **GTMAX plugs are for use in all Carbon Steel, Stainless Steel and Alloy pipes with a hardness up to HRC 32. Contact EST Customer Service if pipes to be tested have a hardness greater than HRC 32.**
- ⚠ **Contact EST Group Customer Service if the test pressure required exceeds the maximum plug rating or is in excess of 80% of specified minimum yield stress for host pipe, tube, or equipment.**
- ⚠ **Pressure testing is inherently dangerous. Strict adherence to the operating procedures and industry standard safety practices could prevent injury to personnel and damage to equipment.**
- ⚠ **All personnel must be clear of the GripTight MAX Test Plug during pressure testing. Never stand in the potential path of a GripTight MAX Test Plug during testing. Always understand and observe industry standard safe practices for distance between personnel and equipment being tested.**
- ⚠ **Pressures must never exceed the maximum pressure rating of any component in a system or the maximum pressure rating of the GripTight MAX Test Plug being used.**
- ⚠ **For safety, an incompressible liquid such as water should be used as the test medium. Residual air or gas should be displaced or vented from the pipe prior to testing.**
- ⚠ **If testing pneumatically, every attempt to limit potential damage to equipment or injury to personnel must be made. Testing procedures and protocol should adhere to the provisions for pneumatic testing set forth in the current ASME PCC-2 Repair of Pressure Equipment and Piping.**

Questions? Contact EST Group Customer Service at any of the following locations.

**CURTISS-
WRIGHT**

EST Group

www.cw-estgroup.com

North, Central & South America

EST Group Corporate Office
2701 Township Line Road
Hatfield, PA 19440-1770 USA

P: +1.215.721.1100

+1.800.355.7044

F: +1.215.721.1101

est-info@curtisswright.com

Europe / Middle East / Africa

EST Group B.V.
Hoon 312a
2404 HL Alphen aan den Rijn
The Netherlands

P: +31.172.418841

F: +31.172.418849

est-emea@curtisswright.com

China

P +86.400.636.5077

est-china@curtisswright.cn

Singapore

P +65.3158.5052

est-asia@curtisswright.com

3/8" through 24" GripTight MAX® Seal and Gripper Replacement Procedures

Type 1 Plug Service Procedures

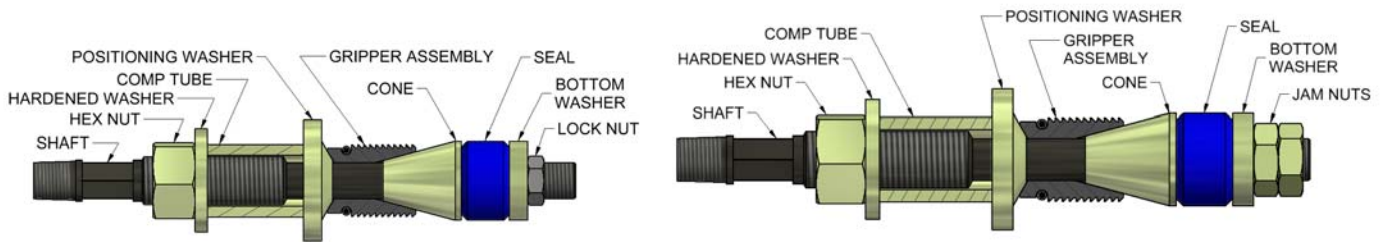


Figure 1: Type 1 GripTight MAX Test Plugs

Seal Replacement

1. Remove Lock Nut or Jam Nuts.
2. Remove Bottom Washer.
3. Remove old Seal.
4. Place new Seal on GTMAX Plug.
5. Reinstall the Bottom Washer.
6. Thread the Lock Nut or Jam Nuts back on the Shaft. Jam Nuts on type 1C GTMAX Test Plugs are secured by tightening the Jam Nuts against each other.

Notes:

- Type 1A GTMAX Lock Nuts are round (no flats). Use pliers or a pipe wrench to grip and remove.
- Type 1B GTMAX Lock Nuts have hex flats. An appropriately sized wrench can be used to remove the Lock Nut.
- Type 1C GTMAX Jam Nuts: remove by unjamming (loosening the bottom Jam Nut), then removing both Jam Nuts.

Gripper Assembly Replacement

1. Remove Lock Nut or Jam Nuts.
2. Remove Bottom Washer.
3. Remove Seal.
4. Remove Cone.
5. Remove old Gripper Assembly.
6. Place new Gripper Assembly on GTMAX Test Plug.
7. Lubricate the cone with an appropriate lubricant such as Molykote® DX paste.
8. Reinstall the Cone.
9. Reinstall the Seal.
10. Reinstall the Bottom Washer.
11. Thread the Lock Nut or Jam Nuts back on the Shaft. Jam Nuts on type 1C GTMAX Test Plugs are secured by tightening the Jam Nuts against each other.

Notes:

- Type 1A GTMAX Lock Nut is round (no flats). Use pliers or a pipe wrench to grip and remove.
- Type 1B GTMAX Lock Nut has hex flats. An appropriately sized wrench can be used to remove the Lock Nut.
- Type 1C GTMAX Jam Nuts: remove by unjamming (loosening the bottom Jam Nut), then removing both Jam Nuts.
- It is suggested to hand tighten the Hex Nut so the Grippers are against the Cone. This helps maintain tension in the Retaining Spring and prevents Gripper Segments from separating from the GTMAX Test Plug and Gripper Assembly.
- Take care and make sure the tapered surface of the cone is not scratched, marred, or otherwise damaged.

Questions? Contact EST Group Customer Service at any of the following locations.

**CURTISS-
WRIGHT**

EST Group

www.cw-estgroup.com

North, Central & South America

EST Group Corporate Office
2701 Township Line Road
Hatfield, PA 19440-1770 USA

P: +1.215.721.1100

+1.800.355.7044

F: +1.215.721.1101

est-info@curtisswright.com

Europe / Middle East / Africa

EST Group B.V.
Hoorn 312a
2404 HL Alphen aan den Rijn
The Netherlands

P: +31.172.418841

F: +31.172.418849

est-emea@curtisswright.com

China

P +86.400.636.5077

est-china@curtisswright.cn

Singapore

P +65.3158.5052

est-asia@curtisswright.com

3/8" through 24" GripTight MAX® Seal and Gripper Replacement Procedures

Type 2, 3, and 4 Plug Service Procedures

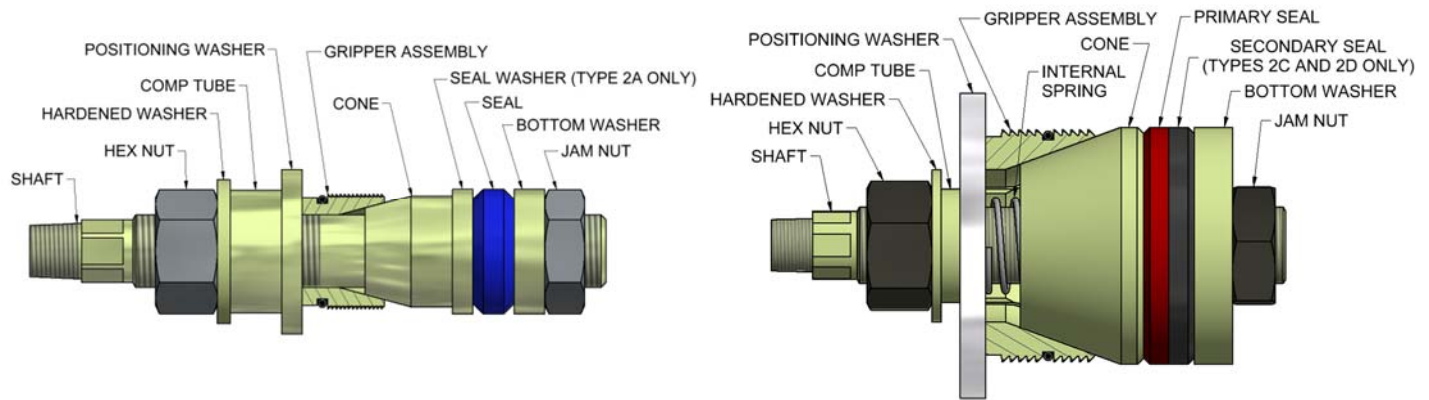


Figure 2: Type 2 (left) and Type 4 (right) GripTight MAX Test Plugs

Seal Replacement

1. Remove Jam Nut.
2. Remove Bottom Washer.
3. Remove old Secondary Seal (if Type 4).
4. Remove old Primary Seal.
5. Place the new Primary Seal on the GTMAX Test Plug. The chamfered edge should face the Cone.
6. Types 4 Only: Place the new Secondary Seal on the GTMAX Test Plug. The chamfered edge should face the Bottom Washer.
7. Reinstall the Bottom Washer.
8. Reinstall the Jam Nut. Tighten it against the Bottom Washer to secure in place.

Notes:

- The Bottom Washer threads on to the Shaft. Remove by unthreading the Bottom Washer from the Shaft.
- Type 2 GTMAX Test Plugs have the Seal Washer installed between the Seal and the Cone. Type 3 Plugs do not.
- Type 3 plugs have a single seal; similar to type 4, no internal spring
- Type 4 GTMAX Plugs have two (2) Seals, a Primary Seal and a Secondary Seal. The Seals must be placed on the Plug in the correct configuration: Secondary Seal against the Bottom Washer, Primary Seal against the Cone. The chamfered edges should face away from each other. See Figure 2 for reference.

Gripper Assembly Replacement

1. Remove Hex Nut.
2. Remove Hardened Washer.
3. Remove Comp Tube.
4. Remove Positioning Washer.
5. Type 4 Plugs: remove the Internal Spring, if integrated.
6. Remove old Gripper Assembly.
7. Lubricate the cone with an appropriate lubricant such as Molykote® DX paste.
8. Place new Gripper Assembly on GTMAX Test Plug.
9. Type 4 Plugs: Reinstall the Compression Spring.
10. Reinstall the Positioning Washer. Markings should be visible and face the Comp Tube (away from the Gripper Assembly).
11. Reinstall the Comp Tube, the Hardened Washer, and the Hex Nut.

Notes:

- GTMAX-5PXXS is not equipped with a Comp Tube.
- Care must always be taken to not scratch, mar, or otherwise damage the tapered surface of the Cone.
- It is suggested to hand tighten the Hex Nut so the Grippers travel slightly up the Cone. This helps maintain tension in the Retaining Spring and prevents Gripper Segments from separating from the GTMAX Test Plug and Gripper Assembly.

Questions? Contact EST Group Customer Service at any of the following locations.

**CURTISS-
WRIGHT**

EST Group

www.cw-estgroup.com

North, Central & South America

EST Group Corporate Office
2701 Township Line Road
Hatfield, PA 19440-1770 USA

P: +1.215.721.1100

+1.800.355.7044

F: +1.215.721.1101

est-info@curtisswright.com

Europe / Middle East / Africa

EST Group B.V.
Hoon 312a
2404 HL Alphen aan den Rijn
The Netherlands

P: +31.172.418841

F: +31.172.418849

est-emea@curtisswright.com

China

P +86.400.636.5077

est-china@curtisswright.cn

Singapore

P +65.3158.5052

est-asia@curtisswright.com

3/8" through 24" GripTight MAX® Seal and Gripper Replacement Procedures

Type 5 Plug Service Procedures

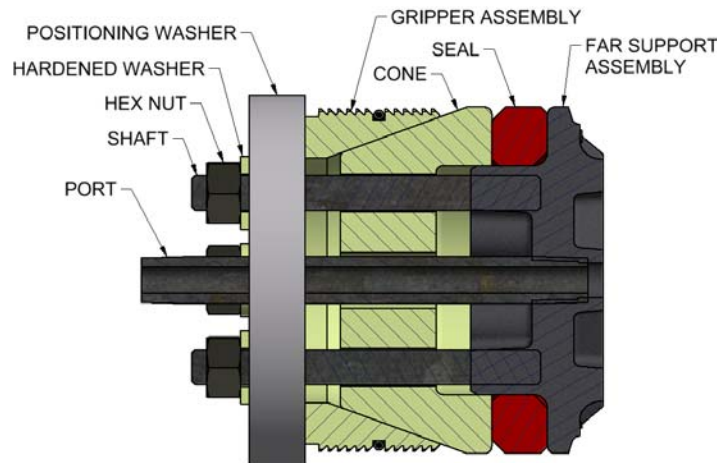


Figure 3: Type 5 GripTight MAX Test Plugs

Seal Replacement

1. Remove Hex Nuts and Hardened Washers.
2. Remove Positioning Washer.
3. Remove Gripper Assembly.
4. Remove Cone.
5. Remove old Seal.
6. Place new Seal on Bottom Washer Assembly. The large chamfer on the Seal should face the Cone.
7. Reinstall the Cone.
8. Lubricate the cone with an appropriate lubricant such as Molykote® DX paste.
9. Reinstall the Gripper Assembly.
10. Reinstall the Positioning Washer. Markings should face the Hex Nuts (away from the Gripper Assembly).
11. Reinstall the Hardened Washers.
12. Reinstall the Hex Nuts.

- Shafts are part of the Far Support Assembly. They should not be removed. If the shafts are loose, they may be reinstalled so they bottom out in the Bottom Washer Assembly and secured with a permanent thread locker such as Titan Cyberbond 7-1550 or Loctite 262.
- The Seal has asymmetrical chamfers. Place the Seal on the Far Support with the large chamfer facing the Cone. See Figure 3 for reference.
- Take care and make sure the tapered surface of the cone is not scratched, marred, or otherwise damaged. It is suggested to hand tighten the Hex Nuts so the Grippers travel slightly up the Cone. This helps maintain tension in the Retaining Spring and prevents Gripper Segments from separating from the GTMAX Test Plug and Gripper Assembly.

Gripper Assembly Replacement

1. Remove Hex Nuts and Hardened Washers.
2. Remove Positioning Washer.
3. Remove the old Gripper Assembly.
4. Lubricate the cone with an appropriate lubricant such as Molykote® DX paste.
5. Place new Gripper Assembly on the GTMAX Test Plug.
6. Reinstall the Positioning Washer. Markings should be visible and face the Hex Nuts (away from the Gripper Assembly).
7. Reinstall the Hardened Washers.
8. Reinstall the Hex Nuts.

- If Gripper Segments fall off of Gripper Assembly, the Gripper Segments can be reinstalled in the Gripper Assembly by positioning the Retaining Spring over the Shaft and sliding the Gripper Segments on individually. Slide the Retaining Spring into the spring grooves on each Gripper Segment. Using a screwdriver or similar tool to help pry the Retaining Spring into place is useful. Care must always be taken to not scratch, mar, or otherwise damage the tapered surface of the Cone.

Questions? Contact EST Group Customer Service at any of the following locations.

**CURTISS-
WRIGHT**

EST Group

www.cw-estgroup.com

North, Central & South America

EST Group Corporate Office
2701 Township Line Road
Hatfield, PA 19440-1770 USA

P: +1.215.721.1100

+1.800.355.7044

F: +1.215.721.1101

est-info@curtisswright.com

Europe / Middle East / Africa

EST Group B.V.
Hoon 312a
2404 HL Alphen aan den Rijn
The Netherlands

P: +31.172.418841

F: +31.172.418849

est-emea@curtisswright.com

China

P +86.400.636.5077

est-china@curtisswright.cn

Singapore

P +65.3158.5052

est-asia@curtisswright.com

3/8" through 24" GripTight MAX® Seal and Gripper Replacement Procedures

Type 6 Plug Service Procedures

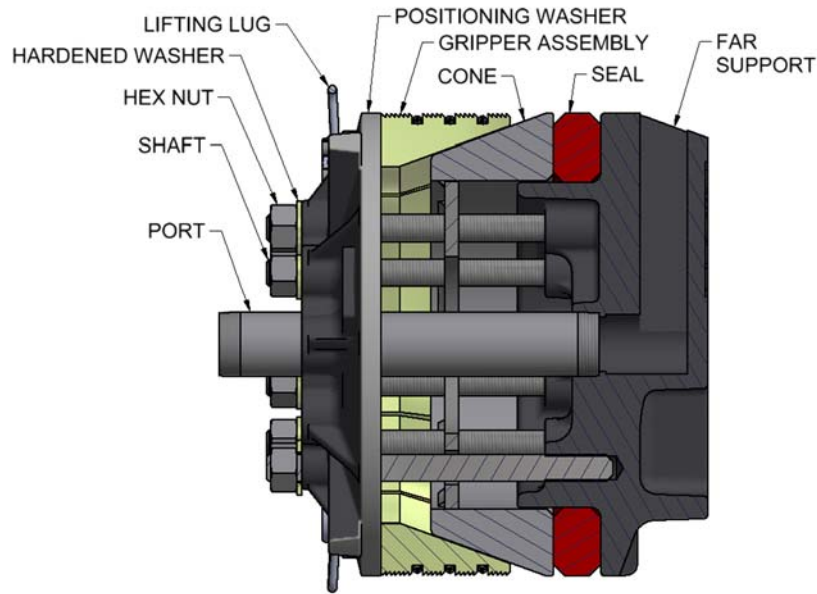


Figure 4: Type 6 GripTight MAX Test Plugs

Seal Replacement

1. Remove Hex Nuts and Hardened Washers.
2. Remove Positioning Washer.
3. Remove Gripper Assembly.
4. Remove Cone.
5. Remove old Seal.
6. Place new Seal on Bottom Washer Assembly.
7. Reinstall the Cone.
8. Lubricate the cone with an appropriate lubricant such as Molykote® DX paste.
9. Reinstall the Gripper Assembly.
10. Reinstall the Positioning Washer.
11. Reinstall the Hardened Washers.
12. Reinstall the Hex Nuts.

- Shafts are part of the Far Support. They should not be removed. If the shafts are loose, they may be reinstalled so they bottom out in the Far Support and secured with a permanent thread locker such as Titan Cyberbond T-1550 or Loctite 262.
- It is suggested to hand tighten the Hex Nuts so the Grippers travel slightly up the Cone. This helps maintain tension in the Retaining Spring and prevents Gripper Segments from separating from the GTMAX Test Plug and Gripper Assembly.
- Take care and make sure the tapered surface of the cone is not scratched, marred, or otherwise damaged.

Gripper Assembly Replacement

1. Remove Hex Nuts and Hardened Washers.
2. Remove Positioning Washer.
3. Remove the old Gripper Assembly.
4. Lubricate the cone with an appropriate lubricant such as Molykote® DX paste.
5. Place new Gripper Assembly on the GTMAX Test Plug.
6. Reinstall the Positioning Washer.
7. Reinstall the Hardened Washers.
8. Reinstall the Hex Nuts.

- If Gripper Segments fall off of Gripper Assembly, the Gripper Segments can be reinstalled in the Gripper Assembly by positioning the Retaining Spring over the Shaft and sliding the Gripper Segments on individually. Slide the Retaining Spring into the spring grooves on each Gripper Segment. Using a screwdriver or similar tool to help pry the Retaining Spring into place is useful. Care must always be taken to not scratch, mar, or otherwise damage the tapered surface of the Cone.

Questions? Contact EST Group Customer Service at any of the following locations.

**CURTISS-
WRIGHT**

EST Group

www.cw-estgroup.com

North, Central & South America

EST Group Corporate Office
2701 Township Line Road
Hatfield, PA 19440-1770 USA

P: +1.215.721.1100

+1.800.355.7044

F: +1.215.721.1101

est-info@curtisswright.com

Europe / Middle East / Africa

EST Group B.V.
Hoon 312a
2404 HL Alphen aan den Rijn
The Netherlands

P: +31.172.418841

F: +31.172.418849

est-emea@curtisswright.com

China

P +86.400.636.5077

est-china@curtisswright.cn

Singapore

P +65.3158.5052

est-asia@curtisswright.com

3/8" through 24" GripTight MAX® Seal and Gripper Replacement Procedures

Type 7 Plug Service Procedures

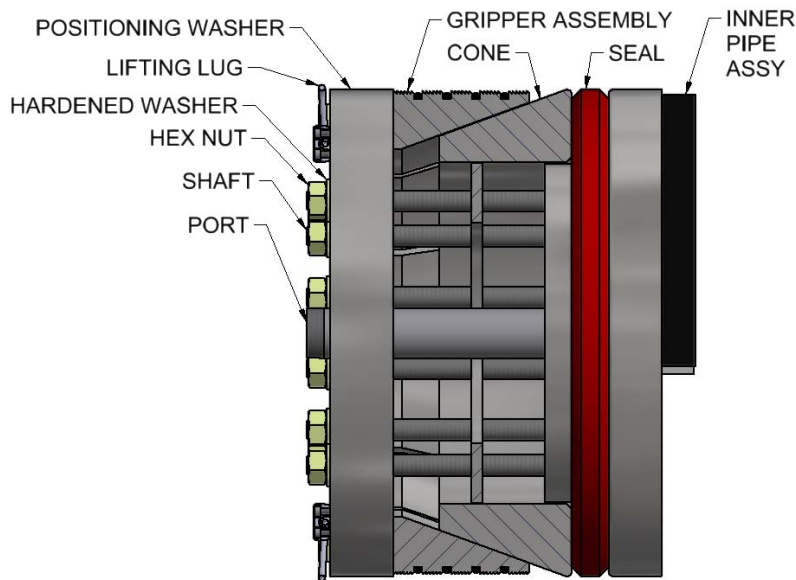


Figure 5: Type 7 GripTight MAX Test Plugs

Seal Replacement

1. Remove Hex Nuts and Hardened Washers.
2. Remove Positioning Washer.
3. Remove Gripper Assembly.
4. Remove Cone.
5. Remove old Seal.
6. Place new Seal on Bottom Inner Pipe Assy.
7. Reinstall the Cone.
8. Lubricate the cone with an appropriate lubricant such as Molykote® DX paste.
9. Reinstall the Gripper Assembly.
10. Reinstall the Positioning Washer.
11. Reinstall the Hardened Washers.
12. Reinstall the Hex Nuts.

- Shafts are welded to the Inner Pipe Assy. They should not be removed. If the shafts are loose, contact EST Group Product Support.
- It is suggested to hand tighten the Hex Nuts so the Grippers travel slightly up the Cone. This helps maintain tension in the Retaining Spring and prevents Gripper Segments from separating from the GTMAX Test Plug and Gripper Assembly.
- Take care and make sure the tapered surface of the cone is not scratched, marred, or otherwise damaged.

Gripper Assembly Replacement

1. Remove Hex Nuts and Hardened Washers.
2. Remove Positioning Washer.
3. Remove the old Gripper Assembly.
4. Lubricate the cone with an appropriate lubricant such as Molykote® DX paste.
5. Place new Gripper Assembly on the GTMAX Test Plug.
6. Reinstall the Positioning Washer.
7. Reinstall the Hardened Washers.
8. Reinstall the Hex Nuts.

- If Gripper Segments fall off of Gripper Assembly, the Gripper Segments can be reinstalled in the Gripper Assembly by positioning the Retaining Spring over the Shaft and sliding the Gripper Segments on individually. Slide the Retaining Spring into the spring grooves on each Gripper Segment. Using a screwdriver or similar tool to help pry the Retaining Spring into place is useful. Care must always be taken to not scratch, mar, or otherwise damage the tapered surface of the Cone.

Questions? Contact EST Group Customer Service at any of the following locations.

**CURTISS-
WRIGHT**

EST Group

www.cw-estgroup.com

North, Central & South America

EST Group Corporate Office
2701 Township Line Road
Hatfield, PA 19440-1770 USA

P: +1.215.721.1100

+1.800.355.7044

F: +1.215.721.1101

est-info@curtisswright.com

Europe / Middle East / Africa

EST Group B.V.
Hoon 312a
2404 HL Alphen aan den Rijn
The Netherlands

P: +31.172.418841

F: +31.172.418849

est-emea@curtisswright.com

China

P +86.400.636.5077

est-china@curtisswright.cn

Singapore

P +65.3158.5052

est-asia@curtisswright.com

Table 1: Replacement Parts and Accessories for Standard NPS Size GripTight MAX Test Plugs

Plug Part Number	TYPE	Plug OD		Replacement Seal	Replacement Gripper Assembly (includes Spring)	Replacement Spring
		(IN)	(mm)			
GTMAX-038P40	1	0.46	11.7	GTMAX-038P40-URS	GTMAX-038P40-GR	GTMAX-038P40-SPR
GTMAX-050P10	1	0.60	15.2	GTMAX-050P10-URS	GTMAX-050P10-GR	GTMAX-050P10-SPR
GTMAX-050P40	1	0.54	13.7	GTMAX-050P40-URS	GTMAX-050P40-GR	GTMAX-050P40-SPR
GTMAX-050P80	1	0.49	12.4	GTMAX-050P80-URS	GTMAX-050P80-GR	GTMAX-050P80-SPR
GTMAX-050P160	1	0.46	11.7	GTMAX-050P160-URS	GTMAX-050P160-GR	GTMAX-050P160-SPR
GTMAX-075P10	1	0.82	20.8	GTMAX-075P10-URS	GTMAX-075P10-GR	GTMAX-075P10-SPR
GTMAX-075P40	1	0.74	18.8	GTMAX-075P40-URS	GTMAX-075P40-GR	GTMAX-075P40-SPR
GTMAX-075P80	1	0.66	16.8	GTMAX-075P80-URS	GTMAX-075P80-GR	GTMAX-075P80-SPR
GTMAX-075P160	1	0.54	13.7	GTMAX-075P160-URS	GTMAX-075P160-GR	GTMAX-075P160-SPR
GTMAX-1P5	2	1.07	27.2	GTMAX-1P5-URS	GTMAX-1P5-GR	GTMAX-1P5-SPR
GTMAX-1P10	2	1.03	26.2	GTMAX-1P10-URS	GTMAX-1P10-GR	GTMAX-1P10-SPR
GTMAX-1P40	2	0.97	24.6	GTMAX-1P40-URS	GTMAX-1P40-GR	GTMAX-1P40-SPR
GTMAX-1P80	2	0.89	22.6	GTMAX-1P80-URS	GTMAX-1P80-GR	GTMAX-1P80-SPR
GTMAX-1P160	1	0.74	18.8	GTMAX-1P160-URS	GTMAX-1P160-GR	GTMAX-1P160-SPR
GTMAX-1PXXS	1	0.54	13.7	GTMAX-1PXXS-URS	GTMAX-1PXXS-GR	GTMAX-1PXXS-SPR
GTMAX-125P5	2	1.41	35.8	GTMAX-125P5-URS	GTMAX-125P5-GR	GTMAX-125P5-SPR
GTMAX-125P10	2	1.35	34.3	GTMAX-125P10-URS	GTMAX-125P10-GR	GTMAX-125P10-SPR
GTMAX-125P40	2	1.25	31.8	GTMAX-125P40-URS	GTMAX-125P40-GR	GTMAX-125P40-SPR
GTMAX-125P80	2	1.19	30.2	GTMAX-125P80-URS	GTMAX-125P80-GR	GTMAX-125P80-SPR
GTMAX-125P160	2	1.07	27.2	GTMAX-125P160-URS	GTMAX-125P160-GR	GTMAX-125P160-SPR
GTMAX-15P5	2	1.68	42.7	GTMAX-15P5-URS	GTMAX-15P5-GR	GTMAX-15P5-SPR
GTMAX-15P10	2	1.60	40.6	GTMAX-15P10-URS	GTMAX-15P10-GR	GTMAX-15P10-SPR
GTMAX-15P40	2	1.52	38.6	GTMAX-15P40-URS	GTMAX-15P40-GR	GTMAX-15P40-SPR
GTMAX-15P80	2	1.41	35.8	GTMAX-15P80-URS	GTMAX-15P80-GR	GTMAX-15P80-SPR
GTMAX-15P160	2	1.25	31.8	GTMAX-15P160-URS	GTMAX-15P160-GR	GTMAX-15P160-SPR
GTMAX-15PXXS	2	1.03	26.2	GTMAX-15PXXS-URS	GTMAX-15PXXS-GR	GTMAX-15PXXS-SPR
GTMAX-2P5	2	2.12	53.8	GTMAX-2P5-URS	GTMAX-2P5-GR	GTMAX-2P5-SPR
GTMAX-2P10	2	2.00	50.8	GTMAX-2P10-URS	GTMAX-2P10-GR	GTMAX-2P10-SPR
GTMAX-2P40	2	1.94	49.3	GTMAX-2P40-URS	GTMAX-2P40-GR	GTMAX-2P40-SPR
GTMAX-198T	2	1.88	47.8	GTMAX-198T-URS	GTMAX-198T-GR	GTMAX-198T-SPR
GTMAX-2P80	2	1.81	46.0	GTMAX-2P80-URS	GTMAX-2P80-GR	GTMAX-2P80-SPR
GTMAX-2P160	2	1.60	40.6	GTMAX-2P160-URS	GTMAX-2P160-GR	GTMAX-2P160-SPR
GTMAX-2PXXS	2	1.41	35.8	GTMAX-2PXXS-URS	GTMAX-2PXXS-GR	GTMAX-2PXXS-SPR

Questions? Contact EST Group Customer Service at any of the following locations.



EST Group

www.cw-estgroup.com

North, Central & South America

EST Group Corporate Office
2701 Township Line Road
Hatfield, PA 19440-1770 USA

P: +1.215.721.1100

+1.800.355.7044

F: +1.215.721.1101

est-info@curtisswright.com

Europe / Middle East / Africa

EST Group B.V.
Hoon 312a
2404 HL Alphen aan den Rijn
The Netherlands

P: +31.172.418841

F: +31.172.418849

est-emea@curtisswright.com

China

P +86.400.636.5077

est-china@curtisswright.cn

Singapore

P +65.3158.5052

est-asia@curtisswright.com

Plug Part Number	TYPE	Plug OD		Replacement Seal	Replacement Gripper Assembly (includes Spring)	Replacement Spring
		(IN)	(mm)			
GTMAX-25P5	3	2.58	65.5	GTMAX-25P5-URS	GTMAX-25P5-GR	GTMAX-25P5-SPR
GTMAX-25P10	3	2.50	63.5	GTMAX-25P10-URS	GTMAX-25P10-GR	GTMAX-25P10-SPR
GTMAX-253T	3	2.43	61.7	GTMAX-253T-URS	GTMAX-253T-GR	GTMAX-253T-SPR
GTMAX-25P40	3	2.34	59.4	GTMAX-25P40-URS	GTMAX-25P40-GR	GTMAX-25P40-SPR
GTMAX-25P80	2	2.17	55.1	GTMAX-25P80-URS	GTMAX-25P80-GR	GTMAX-25P80-SPR
GTMAX-25P160	2	2.00	50.8	GTMAX-25P160-URS	GTMAX-25P160-GR	GTMAX-25P160-SPR
GTMAX-25PXXS	2	1.68	42.7	GTMAX-25PXXS-URS	GTMAX-25PXXS-GR	GTMAX-25PXXS-SPR
GTMAX-3P5	3	3.20	81.3	GTMAX-3P5-URS	GTMAX-3P5-GR	GTMAX-3P5-SPR
GTMAX-3P10	3	3.13	79.5	GTMAX-3P10-URS	GTMAX-3P10-GR	GTMAX-3P10-SPR
GTMAX-3P40	3	2.94	74.7	GTMAX-3P40-URS	GTMAX-3P40-GR	GTMAX-3P40-SPR
GTMAX-296T	3	2.86	72.6	GTMAX-296T-URS	GTMAX-296T-GR	GTMAX-296T-SPR
GTMAX-3P80	3	2.77	70.4	GTMAX-3P80-URS	GTMAX-3P80-GR	GTMAX-3P80-SPR
GTMAX-3P160	3	2.50	63.5	GTMAX-3P160-URS	GTMAX-3P160-GR	GTMAX-3P160-SPR
GTMAX-3PXXS	2	2.17	55.1	GTMAX-3PXXS-URS	GTMAX-3PXXS-GR	GTMAX-3PXXS-SPR
GTMAX-35P5	3	3.70	94.0	GTMAX-35P5-URS	GTMAX-35P5-GR	GTMAX-35P5-SPR
GTMAX-35P10	3	3.63	92.2	GTMAX-35P10-URS	GTMAX-35P10-GR	GTMAX-35P10-SPR
GTMAX-35P40	3	3.42	86.9	GTMAX-35P40-URS	GTMAX-35P40-GR	GTMAX-35P40-SPR
GTMAX-35P80	3	3.23	82.0	GTMAX-35P80-URS	GTMAX-35P80-GR	GTMAX-35P80-SPR
GTMAX-35PXXS	3	2.60	66.0	GTMAX-35PXXS-URS	GTMAX-35PXXS-GR	GTMAX-35PXXS-SPR
GTMAX-4P5	4	4.17	105.9	GTMAX-4P5-URS	GTMAX-4P5-GR	GTMAX-4P5-SPR
GTMAX-4P10	3	4.12	104.6	GTMAX-4P10-URS	GTMAX-4P10-GR	GTMAX-4P10-SPR
GTMAX-4P40	3	3.89	98.8	GTMAX-4P40-URS	GTMAX-4P40-GR	GTMAX-4P40-SPR
GTMAX-390T	3	3.79	96.3	GTMAX-390T-URS	GTMAX-390T-GR	GTMAX-390T-SPR
GTMAX-4P80	3	3.70	94.0	GTMAX-4P80-URS	GTMAX-4P80-GR	GTMAX-4P80-SPR
GTMAX-4P120	3	3.50	88.9	GTMAX-4P120-URS	GTMAX-4P120-GR	GTMAX-4P120-SPR
GTMAX-4P160	3	3.31	84.1	GTMAX-4P160-URS	GTMAX-4P160-GR	GTMAX-4P160-SPR
GTMAX-4PXXS	3	3.02	76.7	GTMAX-4PXXS-URS	GTMAX-4PXXS-GR	GTMAX-4PXXS-SPR
GTMAX-5P5	5	5.21	132.3	GTMAX-5P5-URS	GTMAX-5P5-GR	GTMAX-5P5-SPR
GTMAX-5P10	5	5.16	131.1	GTMAX-5P10-URS	GTMAX-5P10-GR	GTMAX-5P10-SPR
GTMAX-514T	5	5.03	127.8	GTMAX-514T-URS	GTMAX-514T-GR	GTMAX-514T-SPR
GTMAX-5P40	5	4.91	124.7	GTMAX-5P40-URS	GTMAX-5P40-GR	GTMAX-5P40-SPR
GTMAX-5P80	4	4.67	118.6	GTMAX-5P80-URS	GTMAX-5P80-GR	GTMAX-5P80-SPR
GTMAX-466T	4	4.55	115.6	GTMAX-466T-URS	GTMAX-466T-GR	GTMAX-466T-SPR
GTMAX-5P120	4	4.42	112.3	GTMAX-5P120-URS	GTMAX-5P120-GR	GTMAX-5P120-SPR
GTMAX-442T	4	4.31	109.5	GTMAX-442T-URS	GTMAX-442T-GR	GTMAX-442T-SPR
GTMAX-5P160	4	4.17	105.9	GTMAX-5P160-URS	GTMAX-5P160-GR	GTMAX-5P160-SPR

Questions? Contact EST Group Customer Service at any of the following locations.

**CURTISS-
WRIGHT**

EST Group

www.cw-estgroup.com

North, Central & South America

EST Group Corporate Office
2701 Township Line Road
Hatfield, PA 19440-1770 USA

P: +1.215.721.1100

+1.800.355.7044

F: +1.215.721.1101

est-info@curtisswright.com

Europe / Middle East / Africa

EST Group B.V.
Hoon 312a
2404 HL Alphen aan den Rijn
The Netherlands

P: +31.172.418841

F: +31.172.418849

est-emea@curtisswright.com

China

P +86.400.636.5077

est-china@curtisswright.cn

Singapore

P +65.3158.5052

est-asia@curtisswright.com

Plug Part Number	TYPE	Plug OD		Replacement Seal	Replacement Gripper Assembly (includes Spring)	Replacement Spring
		(IN)	(mm)			
GTMAX-5PXXS	3	3.92	99.6	GTMAX-5PXXS-URS	GTMAX-5PXXS-GR	GTMAX-5PXXS-SPR
GTMAX-668T	5	6.56	166.6	GTMAX-668T-URS	GTMAX-668T-GR	GTMAX-668T-SPR
GTMAX-653T	5	6.41	162.8	GTMAX-653T-URS	GTMAX-653T-GR	GTMAX-653T-SPR
GTMAX-6P5	5	6.26	159.0	GTMAX-6P5-URS	GTMAX-6P5-GR	GTMAX-6P5-SPR
GTMAX-6P10	5	6.21	157.7	GTMAX-6P10-URS	GTMAX-6P10-GR	GTMAX-6P10-SPR
GTMAX-618T	5	6.06	153.9	GTMAX-618T-URS	GTMAX-618T-GR	GTMAX-618T-SPR
GTMAX-6P40	5	5.92	150.4	GTMAX-6P40-URS	GTMAX-6P40-GR	GTMAX-6P40-SPR
GTMAX-588T	5	5.76	146.3	GTMAX-588T-URS	GTMAX-588T-GR	GTMAX-588T-SPR
GTMAX-6P80	5	5.62	142.7	GTMAX-6P80-URS	GTMAX-6P80-GR	GTMAX-6P80-SPR
GTMAX-562T	5	5.51	140.0	GTMAX-562T-URS	GTMAX-562T-GR	GTMAX-562T-SPR
GTMAX-6P120	5	5.36	136.1	GTMAX-6P120-URS	GTMAX-6P120-GR	GTMAX-6P120-SPR
GTMAX-534T	5	5.23	132.8	GTMAX-534T-URS	GTMAX-534T-GR	GTMAX-534T-SPR
GTMAX-6P160	5	5.05	128.3	GTMAX-6P160-URS	GTMAX-6P160-GR	GTMAX-6P160-SPR
GTMAX-6PXXS	5	4.76	120.9	GTMAX-6PXXS-URS	GTMAX-6PXXS-GR	GTMAX-6PXXS-SPR
GTMAX-8P5	5	8.26	209.8	GTMAX-8P5-URS	GTMAX-8P5-GR	GTMAX-8P5-SPR
GTMAX-8P10	5	8.18	207.8	GTMAX-8P10-URS	GTMAX-8P10-GR	GTMAX-8P10-SPR
GTMAX-820T	5	8.08	205.2	GTMAX-820T-URS	GTMAX-820T-GR	GTMAX-820T-SPR
GTMAX-8P20	5	7.98	202.7	GTMAX-8P20-URS	GTMAX-8P20-GR	GTMAX-8P20-SPR
GTMAX-8P30	5	7.92	201.2	GTMAX-8P30-URS	GTMAX-8P30-GR	GTMAX-8P30-SPR
GTMAX-8P40	5	7.83	198.9	GTMAX-8P40-URS	GTMAX-8P40-GR	GTMAX-8P40-SPR
GTMAX-787T	5	7.75	196.9	GTMAX-787T-URS	GTMAX-787T-GR	GTMAX-787T-SPR
GTMAX-8P60	5	7.66	194.6	GTMAX-8P60-URS	GTMAX-8P60-GR	GTMAX-8P60-SPR
GTMAX-769T	5	7.57	192.3	GTMAX-769T-URS	GTMAX-769T-GR	GTMAX-769T-SPR
GTMAX-8P80	5	7.48	190.0	GTMAX-8P80-URS	GTMAX-8P80-GR	GTMAX-8P80-SPR
GTMAX-8P100	5	7.29	185.2	GTMAX-8P100-URS	GTMAX-8P100-GR	GTMAX-8P100-SPR
GTMAX-730T	5	7.18	182.4	GTMAX-730T-URS	GTMAX-730T-GR	GTMAX-730T-SPR
GTMAX-8P120	5	7.04	178.8	GTMAX-8P120-URS	GTMAX-8P120-GR	GTMAX-8P120-SPR
GTMAX-8P140	5	6.85	174.0	GTMAX-8P140-URS	GTMAX-8P140-GR	GTMAX-8P140-SPR
GTMAX-8P160	5	6.66	169.2	GTMAX-8P160-URS	GTMAX-8P160-GR	GTMAX-8P160-SPR
GTMAX-8PXXS	5	6.73	170.9	GTMAX-8PXXS-URS	GTMAX-8PXXS-GR	GTMAX-8PXXS-SPR

Questions? Contact EST Group Customer Service at any of the following locations.

**CURTISS -
WRIGHT**

EST Group

www.cw-estgroup.com

North, Central & South America

EST Group Corporate Office
2701 Township Line Road
Hatfield, PA 19440-1770 USA

P: +1.215.721.1100

+1.800.355.7044

F: +1.215.721.1101

est-info@curtisswright.com

Europe / Middle East / Africa

EST Group B.V.
Hoorn 312a
2404 HL Alphen aan den Rijn
The Netherlands

P: +31.172.418841

F: +31.172.418849

est-emea@curtisswright.com

China

P +86.400.636.5077

est-china@curtisswright.cn

Singapore

P +65.3158.5052

est-asia@curtisswright.com

Plug Part Number	TYPE	Plug OD		Replacement Seal	Replacement Gripper Assembly (includes Spring)	Replacement Spring
		(IN)	(mm)			
GTMAX-10P5	6	10.32	262.1	GTMAX-10P5-URS	GTMAX-10P5-GR	GTMAX-10P5-SPR
GTMAX-10P10	6	10.24	260.1	GTMAX-10P10-URS	GTMAX-10P10-GR	GTMAX-10P10-SPR
GTMAX-10P20	6	10.07	255.8	GTMAX-10P20-URS	GTMAX-10P20-GR	GTMAX-10P20-SPR
GTMAX-10P30	6	9.96	253.0	GTMAX-10P30-URS	GTMAX-10P30-GR	GTMAX-10P30-SPR
GTMAX-10P40	6	9.84	249.9	GTMAX-10P40-URS	GTMAX-10P40-GR	GTMAX-10P40-SPR
GTMAX-10P60	6	9.57	243.1	GTMAX-10P60-URS	GTMAX-10P60-GR	GTMAX-10P60-SPR
GTMAX-10P80	6	9.38	238.3	GTMAX-10P80-URS	GTMAX-10P80-GR	GTMAX-10P80-SPR
GTMAX-10P100	6	9.13	231.9	GTMAX-10P100-URS	GTMAX-10P100-GR	GTMAX-10P100-SPR
GTMAX-10P120	5	8.91	226.3	GTMAX-10P120-URS	GTMAX-10P120-GR	GTMAX-10P120-SPR
GTMAX-10P140	5	8.60	218.4	GTMAX-10P140-URS	GTMAX-10P140-GR	GTMAX-10P140-SPR
GTMAX-10P160	5	8.35	212.1	GTMAX-10P160-URS	GTMAX-10P160-GR	GTMAX-10P160-SPR
GTMAX-12P10	6	12.20	309.9	GTMAX-12P10-URS	GTMAX-12P10-GR	GTMAX-12P10-SPR
GTMAX-12P20	6	12.07	306.6	GTMAX-12P20-URS	GTMAX-12P20-GR	GTMAX-12P20-SPR
GTMAX-12P30	6	11.91	302.5	GTMAX-12P30-URS	GTMAX-12P30-GR	GTMAX-12P30-SPR
GTMAX-12P40	6	11.82	300.2	GTMAX-12P40-URS	GTMAX-12P40-GR	GTMAX-12P40-SPR
GTMAX-12PXS	6	11.57	293.9	GTMAX-12PXS-URS	GTMAX-12PXS-GR	GTMAX-12PXS-SPR
GTMAX-12P60	6	11.45	290.8	GTMAX-12P60-URS	GTMAX-12P60-GR	GTMAX-12P60-SPR
GTMAX-12P80	6	11.19	284.2	GTMAX-12P80-URS	GTMAX-12P80-GR	GTMAX-12P80-SPR
GTMAX-12P100	6	10.88	276.4	GTMAX-12P100-URS	GTMAX-12P100-GR	GTMAX-12P100-SPR
GTMAX-12P120	6	10.57	268.5	GTMAX-12P120-URS	GTMAX-12P120-GR	GTMAX-12P120-SPR
GTMAX-12P140	6	10.32	262.1	GTMAX-12P140-URS	GTMAX-12P140-GR	GTMAX-12P140-SPR
GTMAX-12P160	6	9.96	253.0	GTMAX-12P160-URS	GTMAX-12P160-GR	GTMAX-12P160-SPR
GTMAX-14P5	6	13.50	342.9	GTMAX-14P5-URS	GTMAX-14P5-GR	GTMAX-14P5-SPR
GTMAX-14P10S	6	13.44	341.4	GTMAX-14P10S-URS	GTMAX-14P10S-GR	GTMAX-14P10S-SPR
GTMAX-14P10	6	13.31	338.1	GTMAX-14P10-URS	GTMAX-14P10-GR	GTMAX-14P10-SPR
GTMAX-14P20	6	13.20	335.3	GTMAX-14P20-URS	GTMAX-14P20-GR	GTMAX-14P20-SPR
GTMAX-14P30	6	13.07	332.0	GTMAX-14P30-URS	GTMAX-14P30-GR	GTMAX-14P30-SPR
GTMAX-14P40	6	12.94	328.7	GTMAX-14P40-URS	GTMAX-14P40-GR	GTMAX-14P40-SPR
GTMAX-14PXS	6	12.82	325.6	GTMAX-14PXS-URS	GTMAX-14PXS-GR	GTMAX-14PXS-SPR
GTMAX-14P60	6	12.63	320.8	GTMAX-14P60-URS	GTMAX-14P60-GR	GTMAX-14P60-SPR
GTMAX-14P80	6	12.32	312.9	GTMAX-14P80-URS	GTMAX-14P80-GR	GTMAX-14P80-SPR
GTMAX-14P100	6	11.94	303.3	GTMAX-14P100-URS	GTMAX-14P100-GR	GTMAX-14P100-SPR
GTMAX-14P120	6	11.63	295.4	GTMAX-14P120-URS	GTMAX-14P120-GR	GTMAX-14P120-SPR
GTMAX-14P140	6	11.32	287.5	GTMAX-14P140-URS	GTMAX-14P140-GR	GTMAX-14P140-SPR
GTMAX-14P160	6	11.00	279.4	GTMAX-14P160-URS	GTMAX-14P160-GR	GTMAX-14P160-SPR

Questions? Contact EST Group Customer Service at any of the following locations.



EST Group

www.cw-estgroup.com

North, Central & South America

EST Group Corporate Office
2701 Township Line Road
Hatfield, PA 19440-1770 USA

P: +1.215.721.1100

+1.800.355.7044

F: +1.215.721.1101

est-info@curtisswright.com

Europe / Middle East / Africa

EST Group B.V.
Hoon 312a
2404 HL Alphen aan den Rijn
The Netherlands

P: +31.172.418841

F: +31.172.418849

est-emea@curtisswright.com

China

P +86.400.636.5077

est-china@curtisswright.cn

Singapore

P +65.3158.5052

est-asia@curtisswright.com

Plug Part Number	TYPE	Plug OD		Replacement Seal	Replacement Gripper Assembly (includes Spring)	Replacement Spring
		(IN)	(mm)			
GTMAX-16P10S	6	15.44	392.2	GTMAX-16P10S-URS	GTMAX-16P10S-GR	GTMAX-16P10S-SPR
GTMAX-16P10	6	15.32	389.1	GTMAX-16P10-URS	GTMAX-16P10-GR	GTMAX-16P10-SPR
GTMAX-16P20	6	15.20	386.1	GTMAX-16P20-URS	GTMAX-16P20-GR	GTMAX-16P20-SPR
GTMAX-16PSTD	6	15.07	382.8	GTMAX-16PSTD-URS	GTMAX-16PSTD-GR	GTMAX-16PSTD-SPR
GTMAX-16PXS	6	14.82	376.4	GTMAX-16PXS-URS	GTMAX-16PXS-GR	GTMAX-16PXS-SPR
GTMAX-16P60	6	14.51	368.6	GTMAX-16P60-URS	GTMAX-16P60-GR	GTMAX-16P60-SPR
GTMAX-16P80	6	14.13	358.9	GTMAX-16P80-URS	GTMAX-16P80-GR	GTMAX-16P80-SPR
GTMAX-16P100	6	13.76	349.5	GTMAX-16P100-URS	GTMAX-16P100-GR	GTMAX-16P100-SPR
GTMAX-16P120	6	13.38	339.9	GTMAX-16P120-URS	GTMAX-16P120-GR	GTMAX-16P120-SPR
GTMAX16P140	6	12.94	328.7	GTMAX16P140-URS	GTMAX16P140-GR	GTMAX16P140-SPR
GTMAX-16P160	6	12.63	320.8	GTMAX-16P160-URS	GTMAX-16P160-GR	GTMAX-16P160-SPR
GTMAX-18P10S	6	17.45	443.2	GTMAX-18P10S-URS	GTMAX-18P10S-GR	GTMAX-18P10S-SPR
GTMAX-18P10	6	17.32	439.9	GTMAX-18P10-URS	GTMAX-18P10-GR	GTMAX-18P10-SPR
GTMAX-18P20	6	17.20	436.9	GTMAX-18P20-URS	GTMAX-18P20-GR	GTMAX-18P20-SPR
GTMAX-18PSTD	6	17.07	433.6	GTMAX-18PSTD-URS	GTMAX-18PSTD-GR	GTMAX-18PSTD-SPR
GTMAX-18P30	6	16.94	430.3	GTMAX-18P30-URS	GTMAX-18P30-GR	GTMAX-18P30-SPR
GTMAX-18PXS	6	16.82	427.2	GTMAX-18PXS-URS	GTMAX-18PXS-GR	GTMAX-18PXS-SPR
GTMAX-18P40	6	16.70	424.2	GTMAX-18P40-URS	GTMAX-18P40-GR	GTMAX-18P40-SPR
GTMAX-18P60	6	16.32	414.5	GTMAX-18P60-URS	GTMAX-18P60-GR	GTMAX-18P60-SPR
GTMAX-18P80	6	15.94	404.9	GTMAX-18P80-URS	GTMAX-18P80-GR	GTMAX-18P80-SPR
GTMAX-18P100	6	15.51	394.0	GTMAX-18P100-URS	GTMAX-18P100-GR	GTMAX-18P100-SPR
GTMAX-18P120	6	15.07	382.8	GTMAX-18P120-URS	GTMAX-18P120-GR	GTMAX-18P120-SPR
GTMAX-18P140	6	14.69	373.1	GTMAX-18P140-URS	GTMAX-18P140-GR	GTMAX-18P140-SPR
GTMAX-18P160	6	14.25	362.0	GTMAX-18P160-URS	GTMAX-18P160-GR	GTMAX-18P160-SPR
GTMAX-20P10	6	19.38	492.3	GTMAX-20P10-URS	GTMAX-20P10-GR	GTMAX-20P10-SPR
GTMAX-20PSTD	6	19.07	484.4	GTMAX-20PSTD-URS	GTMAX-20PSTD-GR	GTMAX-20PSTD-SPR
GTMAX-20PXS	6	18.82	478.0	GTMAX-20PXS-URS	GTMAX-20PXS-GR	GTMAX-20PXS-SPR
GTMAX-20P40	6	18.63	473.2	GTMAX-20P40-URS	GTMAX-20P40-GR	GTMAX-20P40-SPR
GTMAX-20P60	6	18.20	462.3	GTMAX-20P60-URS	GTMAX-20P60-GR	GTMAX-20P60-SPR
GTMAX-20P80	6	17.76	451.1	GTMAX-20P80-URS	GTMAX-20P80-GR	GTMAX-20P80-SPR
GTMAX-20P100	6	17.26	438.4	GTMAX-20P100-URS	GTMAX-20P100-GR	GTMAX-20P100-SPR
GTMAX-20P120	6	16.82	427.2	GTMAX-20P120-URS	GTMAX-20P120-GR	GTMAX-20P120-SPR
GTMAX-20P140	6	16.32	414.5	GTMAX-20P140-URS	GTMAX-20P140-GR	GTMAX-20P140-SPR
GTMAX-20P160	6	15.87	403.1	GTMAX-20P160-URS	GTMAX-20P160-GR	GTMAX-20P160-SPR

Questions? Contact EST Group Customer Service at any of the following locations.

**CURTISS-
WRIGHT**

EST Group

www.cw-estgroup.com

North, Central & South America

EST Group Corporate Office
2701 Township Line Road
Hatfield, PA 19440-1770 USA

P: +1.215.721.1100

+1.800.355.7044

F: +1.215.721.1101

est-info@curtisswright.com

Europe / Middle East / Africa

EST Group B.V.
Hoon 312a
2404 HL Alphen aan den Rijn
The Netherlands

P: +31.172.418841

F: +31.172.418849

est-emea@curtisswright.com

China

P +86.400.636.5077

est-china@curtisswright.cn

Singapore

P +65.3158.5052

est-asia@curtisswright.com

Plug Part Number	TYPE	Plug OD		Replacement Seal	Replacement Gripper Assembly (includes Spring)	Replacement Spring
		(IN)	(mm)			
GTMAX-22P10	7	21.25	539.8	GTMAX-22P10-URS	GTMAX-22P10-GR	GTMAX-22P10-SPR
GTMAX-22PSTD	7	21.00	533.4	GTMAX-22PSTD-URS	GTMAX-22PSTD-GR	GTMAX-22PSTD-SPR
GTMAX-22PXS	7	20.75	527.1	GTMAX-22PXS-URS	GTMAX-22PXS-GR	GTMAX-22PXS-SPR
GTMAX-22P60	6	20.03	508.8	GTMAX-22P60-URS	GTMAX-22P60-GR	GTMAX-22P60-SPR
GTMAX-22P80	6	19.53	496.1	GTMAX-22P80-URS	GTMAX-22P80-GR	GTMAX-22P80-SPR
GTMAX-22P100	6	19.07	484.4	GTMAX-22P100-URS	GTMAX-22P100-GR	GTMAX-22P100-SPR
GTMAX-22P120	6	18.58	471.9	GTMAX-22P120-URS	GTMAX-22P120-GR	GTMAX-22P120-SPR
GTMAX-22P140	6	18.06	458.7	GTMAX-22P140-URS	GTMAX-22P140-GR	GTMAX-22P140-SPR
GTMAX-22P160	6	17.55	445.8	GTMAX-22P160-URS	GTMAX-22P160-GR	GTMAX-22P160-SPR
GTMAX-24P10	7	23.31	592.1	GTMAX-24P10-URS	GTMAX-24P10-GR	GTMAX-24P10-SPR
GTMAX-24PSTD	7	23.00	584.2	GTMAX-24PSTD-URS	GTMAX-24PSTD-GR	GTMAX-24PSTD-SPR
GTMAX-24PXS	7	22.75	577.9	GTMAX-24PXS-URS	GTMAX-24PXS-GR	GTMAX-24PXS-SPR
GTMAX-24P30	7	22.63	574.8	GTMAX-24P30-URS	GTMAX-24P30-GR	GTMAX-24P30-SPR
GTMAX-24P40	7	22.37	568.2	GTMAX-24P40-URS	GTMAX-24P40-GR	GTMAX-24P40-SPR
GTMAX-24P60	7	21.81	554.0	GTMAX-24P60-URS	GTMAX-24P60-GR	GTMAX-24P60-SPR
GTMAX-24P80	7	21.31	541.3	GTMAX-24P80-URS	GTMAX-24P80-GR	GTMAX-24P80-SPR
GTMAX-24P100	6	20.72	526.3	GTMAX-24P100-URS	GTMAX-24P100-GR	GTMAX-24P100-SPR
GTMAX-24P120	6	20.16	512.1	GTMAX-24P120-URS	GTMAX-24P120-GR	GTMAX-24P120-SPR
GTMAX-24P140	6	19.66	499.4	GTMAX-24P140-URS	GTMAX-24P140-GR	GTMAX-24P140-SPR
GTMAX-24P160	6	19.13	485.9	GTMAX-24P160-URS	GTMAX-24P160-GR	GTMAX-24P160-SPR

Questions? Contact EST Group Customer Service at any of the following locations.

**CURTISS-
WRIGHT**

EST Group

www.cw-estgroup.com

North, Central & South America

EST Group Corporate Office
2701 Township Line Road
Hatfield, PA 19440-1770 USA

P: +1.215.721.1100

+1.800.355.7044

F: +1.215.721.1101

est-info@curtisswright.com

Europe / Middle East / Africa

EST Group B.V.
Hoon 312a
2404 HL Alphen aan den Rijn
The Netherlands

P: +31.172.418841

F: +31.172.418849

est-emea@curtisswright.com

China

P +86.400.636.5077

est-china@curtisswright.cn

Singapore

P +65.3158.5052

est-asia@curtisswright.com