

Pop-a-Plug® Manual Installation Tool

Reliable Manual Installations

Provides reliable installation in situations where air or electricity are not available. Each Manual Installation Tool (MIT) comes complete with a Pull Rod and Positioner to install the size and style Pop-A-Plug Tube Plug identified in the tool's model number. Can be used with manual wrenches or sockets, as well as with electric or pneumatic impact wrenches.

Size Range

.471" to 1.149" (11.96 to 29.18mm) - CPI/Perma Plugs

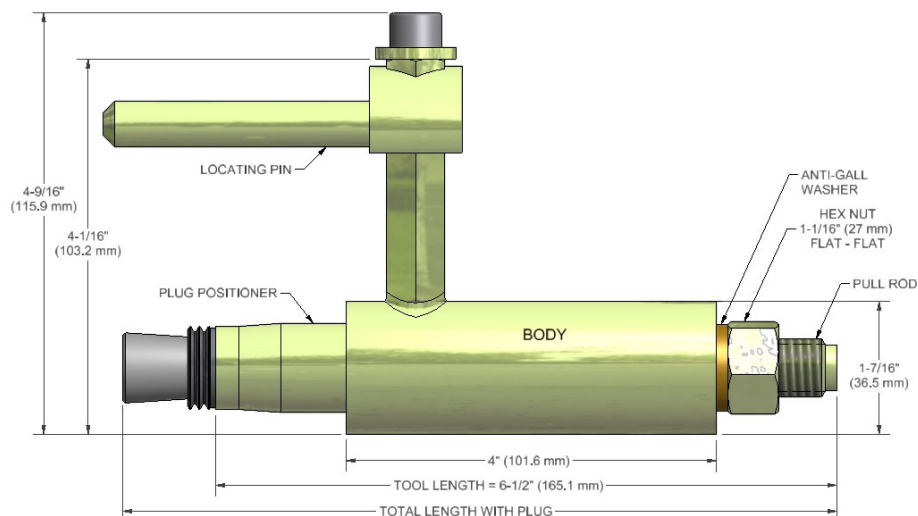
.400" to 1.160" (10.16 to 29.46mm) - P2 Plugs

Standard Material

Zinc Plated Carbon Steel

Features

- Provides fast, reliable installation where air or electricity are not available
- Standard body accepts all MIT pull rods and positioners
- Locating pin acts as a reaction arm to prevent the body from spinning as the Hex Nut is being tightened



Manual Installation Tools for CPI/Perma Plugs

PART NUMBER	CPI SIZE	TOTAL LENGTH WITH PLUG	PULL ROD	PLUG POSITIONER	Body & LOCATING PIN	LOCATING PIN
MIT-V-471	.471	7-7/8" (200.0 mm)	MPR-1228	MPP-V-471	MBDY-1	MITLP-01
MIT-V-491	.491	7-7/8" (200.0 mm)	MPR-1228	MPP-V-491	MBDY-1	MITLP-01
MIT-V-512	.512	7-13/16" (198.4 mm)	MPR-1228	MPP-V-512	MBDY-1	MITLP-01
MIT-V-524	.524	7-13/16" (198.4 mm)	MPR-1228	MPP-V-524	MBDY-2	MITLP-02
MIT-V-555	.555	7-15/16" (201.6 mm)	MPR-1228	MPP-V-555	MBDY-2	MITLP-02
MIT-V-584	.584	7-7/8" (200.0 mm)	MPR-0428	MPP-V-584	MBDY-2	MITLP-02
MIT-V-621	.621	8-1/8" (206.4 mm)	MPR-0428	MPP-V-621	MBDY-2	MITLP-02
MIT-V-649	.649	7-7/8" (200.0 mm)	MPR-0428	MPP-V-649	MBDY-2	MITLP-02
MIT-V-670	.670	8-3/16" (208.0 mm)	MPR-0428	MPP-V-670	MBDY-2	MITLP-02
MIT-V-712	.712	7-7/8" (200.0 mm)	MPR-0428	MPP-V-712	MBDY-2	MITLP-02
MIT-V-735	.735	8-3/16" (208.0 mm)	MPR-0428	MPP-V-735	MBDY-2	MITLP-02
MIT-V-774	.774	7-7/8" (200.0 mm)	MPR-0524	MPP-V-774	MBDY-2	MITLP-02
MIT-V-804	.804	8-1/4" (209.6 mm)	MPR-0524	MPP-V-804	MBDY-2	MITLP-02
MIT-V-837	.837	7-7/8" (200.0 mm)	MPR-0524	MPP-V-837	MBDY-2	MITLP-02
MIT-V-853	.853	8-1/4" (209.6 mm)	MPR-0524	MPP-V-853	MBDY-2	MITLP-02
MIT-V-899	.899	7-7/8" (200.0 mm)	MPR-0524	MPP-V-899	MBDY-2	MITLP-02
MIT-V-919	.919	8-1/4" (209.6 mm)	MPR-0524	MPP-V-919	MBDY-2	MITLP-02
MIT-V-962	.962	7-7/8" (200.0 mm)	MPR-0524	MPP-V-962	MBDY-2	MITLP-02
MIT-V-979	.979	8-3/8" (212.7 mm)	MPR-0524	MPP-V-979	MBDY-2	MITLP-02
MIT-V-1024	1.024	7-7/8" (200.0 mm)	MPR-0524	MPP-V-1024	MBDY-2	MITLP-02
MIT-V-1054	1.054	8-7/16" (214.3 mm)	MPR-0524	MPP-V-1054	MBDY-2	MITLP-02
MIT-V-1087	1.087	7-7/8" (200.0 mm)	MPR-0524	MPP-V-1087	MBDY-2	MITLP-02
MIT-V-1103	1.103	8-7/16" (214.3 mm)	MPR-0524	MPP-V-1103	MBDY-2	MITLP-02
MIT-V-1149	1.149	7-7/8" (200.0 mm)	MPR-0524	MPP-V-1149	MBDY-2	MITLP-02

Manual Installation Tools for P2 Plugs

PART NUMBER	P2 PLUG SIZES	TOTAL LENGTH WITH PLUG	PULL ROD	PLUG POSITIONER	Body & LOCATING PIN	LOCATING PIN
MIT-P2-400-440	.400-.440"	8-3/8" (212.7 mm)	MPR-1032	MPP-P2-400-440	MBDY1	MITLP-01
MIT-P2-460-500	.460-.500"	8-3/8" (212.7 mm)	MPR-1228	MPP-P2-460-500	MBDY1	MITLP-01
MIT-P2-520-580	.520-.580"	8-3/8" (212.7 mm)	MPR-1228	MPP-P2-520-580	MBDY2	MITLP-02
MIT-P2-600-680	.600-.680"	8-3/8" (212.7 mm)	MPR-0428	MPP-P2-600-680	MBDY2	MITLP-02
MIT-P2-700-780	.700-.780"	8-3/8" (212.7 mm)	MPR-0428	MPP-P2-700-780	MBDY2	MITLP-02
MIT-P2-800-860	.800-.860"	8-3/8" (212.7 mm)	MPR-0428	MPP-P2-800-860	MBDY2	MITLP-02
MIT-P2-880-960	.880-.960"	8-3/8" (212.7 mm)	MPR-0524	MPP-P2-880-960	MBDY2	MITLP-02
MIT-P2-980-1060	.980-1.060"	8-3/8" (212.7 mm)	MPR-0524	MPP-P2-980-1060	MBDY2	MITLP-02
MIT-P2-1080-1160	1.080-1.160"	8-3/8" (212.7 mm)	MPR-0524	MPP-P2-1080-1160	MBDY2	MITLP-02

North, Central & South America EST Group 2701 Township Line Road Hatfield, PA 19440-1770 USA | +1.215.721.1100 +1.800.355.7044 | est-info@curtisswright.com

Europe / Middle East / Africa EST Group B.V. Hoorn 312a 2404 HL Alphen aan den Rijn The Netherlands | +31.172.418841 | est-emea@curtisswright.com

China +86.400.636.5077 | est-china@curtisswright.cn | Singapore +65.3158.5052 | est-asia@curtisswright.com