

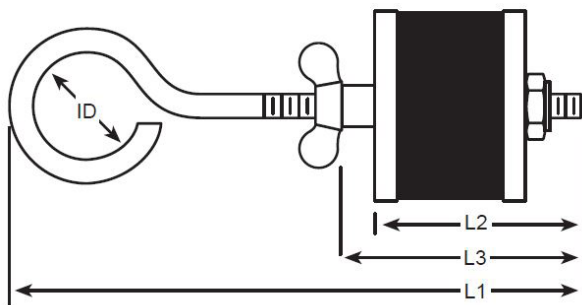
Economy Test Plug

For Low Pressure Testing of Pipe & Tubing

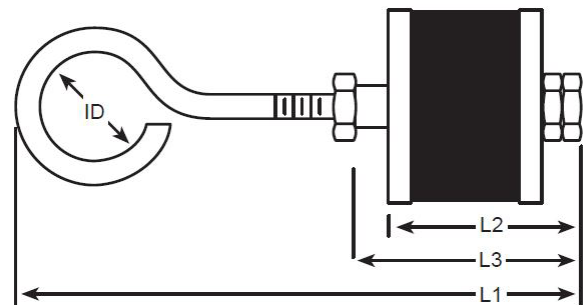
Economy low pressure test plugs are designed for simple and reliable testing of pipe and tubing, without the tube wall damage associated with other test plugs. EST Group's Economy Plug features a neoprene seal - the only part of the plug that comes in contact with the tube I.D. Simply install the Economy test plug into the open end of a pipe or tube and tighten the hex nut (2" - 4" sizes use a hex nut) to expand the seal, then begin pressure testing.

Features

- Lightweight
- Fits pipe sizes 3/8 - 4 in (9.5 - 101.6 mm)
- Operating pressures up to 35 PsiG (2.4 BarG)
- Zinc plated carbon steel with neoprene seals
- Long wearing full disk seals extend the life of the plug



Sizes 3/8" — 1-1/2"



Sizes 2" — 3"

4" not shown in photo.

For more information on our full line of products and services,
please visit www.cw-estgroup.com

Nominal Plug Size (inches(mm))	Plug Part No.	Unexpanded Seal O.D. (inches(mm))	Eyebolt Eye ID (inches(mm))	Avg. Length (inches(mm))	Min. Engagement Length (inches(mm))	Max. Installation Length (inches(mm))	Max. Operating Pressure (PsiG(BarG))	Approx. Shipping Weight (lb(Kgs))
3/8 (9.5)	ECY-0046-N	0.43 (10.9)	3/8 (9.6)	2 1/2 (63.5)	1.07 (27.2)	1.07 (27.2) **	35 (2.4)	0.06 (0.03)
1/2 (12.7)	ECY-0053-N	0.50 (12.7)	9/16 (14.3)	5 (127)	1.62 (41.2)	2.12 (53.8)	35 (2.4)	0.13 (0.06)
5/8 (15.9)	ECY-0063-N	0.60 (15.2)	9/16 (14.3)	5 (127)	1.62 (41.2)	2.12 (53.8)	35 (2.4)	0.13 (0.06)
3/4 (19.1)	ECY-0073-N	0.70 (17.8)	9/16 (14.3)	5 (127)	1.62 (41.2)	2.12 (53.8)	35 (2.4)	0.13 (0.06)
7/8 (22.2)	ECY-0083-N	0.80 (20.3)	9/16 (14.3)	5 (127)	1.62 (41.2)	2.12 (53.8)	35 (2.4)	0.13 (0.06)
1 (25.4)	ECY-0093-N	0.90 (22.9)	9/16 (14.3)	5 (127)	1.62 (41.2)	2.12 (53.8)	35 (2.4)	0.13 (0.06)
1.25 (31.8)	ECY-0113-N	1.10 (27.9)	1 (25.4)	6 1/2 (165.1)	1.81 (46.0)	2.31 (58.7)	15 (1.0)	0.48 (0.22)
1.5 (38.1)	ECY-0133-N	1.30 (33.0)	1 (25.4)	6 1/2 (165.1)	2.06 (52.3)	2.56 (65.0)	15 (1.0)	0.48 (0.22)
2 (50.8)	ECY-0173-N	1.70 (43.2)	1 (25.4)	6 1/2 (165.1)	2.06 (52.3)	2.56 (65.0)	15 (1.0)	0.48 (0.22)
2.5 (63.5)	ECY-0213-N	2.10 (53.3)	1 (25.4)	7 1/2 (190.5)	2.88 (73.2)	3.38 (85.9)	15 (1.0)	1.57 (0.71)
3 (76.2)	ECY-0273-N	2.70 (68.6)	1 (25.4)	7 1/2 (190.5)	3.13 (79.5)	3.63 (92.2)	15 (1.0)	1.57 (0.71)
4 (101.6)	ECY-0353-N	3.50 (88.9)	N/A	6 1/8 (155.7)	2.97 (75.4)	4.62 (117..4)	10 (0.7)	3.4 (1.5)

* Maximum operating pressures have been determined by lab tests performed in clean, dry commercial grade carbon steel pipe.

For maximum operating pressures in other applications, contact EST Group directly.

** No compression tube is used on 3/8" size.

Specifications subject to change without notice.

Ordering Information

Please specify the following information: Tube or pipe ID, Maximum test pressure, Temperature, & Fluid medium

For more information on our full line of products and services,
please visit www.cw-estgroup.com

