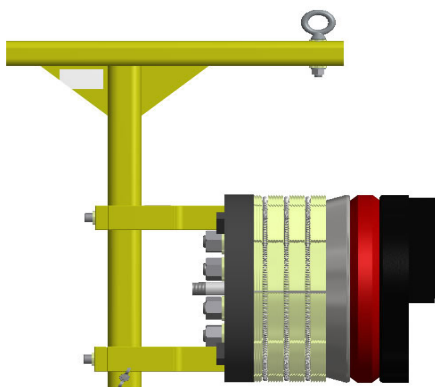


Test Plug Lifting Arm

Designed to work with larger GripTight®, GripTight Max™ and other EST Group test & isolation plugs to provide safe and easy replacement and installation of plugs into pipes. Lifting arm fastens to the GripTight® test plug and can be lifted into place with a crane, fork-lift or other lifting mechanism designed to hold the weight of the plug and lifting tool. The lifting arm is designed to hold the test plug horizontally making it easier to guide and control.

Features & Benefits

- Can be used on all GripTight® Test Plugs from 10" thru 24"
- Lifting Capacity 1,500lbs (680.4kg)
- Designed to be used for installation & removal of test plugs
- Improves safety and installation time
- Special sizes available upon request for up to 42" plug sizes
- Can be adapted to be used with DBB and GTISO Special Test/Isolation Plugs



North, Central & South America

EST Group
2701 Township Line Road
Hatfield, PA 19440-1770 USA
P: +1.215.721.1100
+1.800.355.7044
F: +1.215.721.1101
est-info@curtisswright.com

Europe / Middle East / Africa

EST Group B.V.
Hoorn 312a
2404 HL Alphen aan den Rijn
The Netherlands
P: +31.172.418841
F: +31.172.418849
est-emea@curtisswright.com

Asia Pacific

EST Group Asia
35 Tannery Road, #11-10 Tannery Block
Ruby Industrial Complex
Singapore 347740
P: +65.6745.8560
F: +65.6742.8700
est-asia@curtisswright.com

China

EST Group China
Rm 3709, China World Office 1
No. 1 Jian Guo Men Wai Avenue
Beijing, 100004
P: +86.10.65058966
F: +86.10.65050966
est-china@curtisswright.com