

Pop-a-Plug® Manual Installation Tool

Fast, Reliable Installations

Appropriate for use with manual wrenches or sockets and electric or pneumatic impact wrenches.

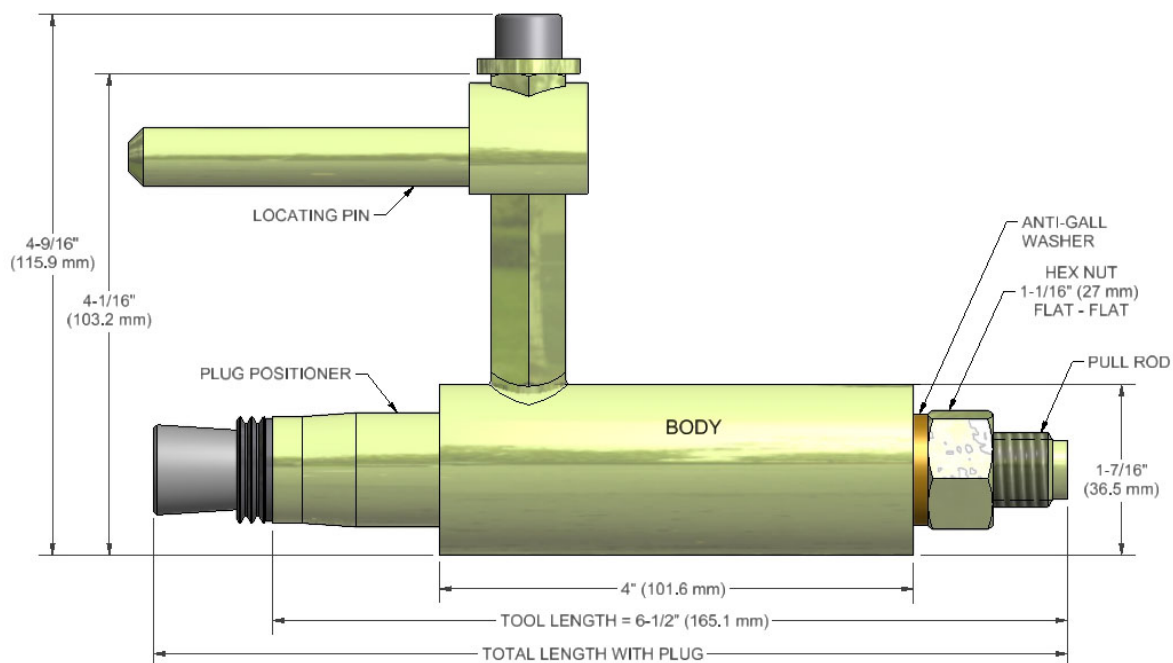
The EST Group's Pop-A-Plug® manual Installation Tool (MIT) is the perfect companion to our Pop-A-Plug 6600 Hydraulic Ram or our Close Quarter Ram (CQR), providing fast, reliable installation where no air or electricity are available.

Each MIT comes with a Pull Rod and Positioner to install the size and style Pop-A-Plug identified in the tool's model number. The same MIT body accepts all pull rods and positioners for P2s up to 1.160" and CPI/Perma Plugs up to 1.149".

Simplified Installation

- Connect the reusable hex pull rod to the installation tool.
- Apply the force necessary to expand and install the Pop-A-Plug by tightening the hex nut.

The locating pin acts as a reaction arms to prevent the body from spinning as you tighten the hex nut.



EST Group serves the power generation, refining, chemical, pharmaceutical and offshore industries worldwide. QA Program certified to ISO-9001.

Manual Installation Tools for CPI/Perma Plugs

PART NUMBER	CPI SIZE	TOTAL LENGTH WITH PLUG	PULL ROD	PLUG POSITIONER	BODY & LOCATING PIN	LOCATING PIN
MIT-V-471	.471	7-7/8"(200.0 mm)	MPR-1228	MPP-V-471	MBDY-1	MITLP-01
MIT-V-491	.491	7-7/8" (200.0 mm)	MPR-1228	MPP-V-491	MBDY-1	MITLP-01
MIT-V-512	.512	7-13/16" (198.4 mm)	MPR-1228	MPP-V-512	MBDY-1	MITLP-01
MIT-V-524	.524	7-13/16" (198.4 mm)	MPR-1228	MPP-V-524	MBDY-2	MITLP-02
MIT-V-555	.555	7-15/16"(201.6 mm)	MPR-1228	MPP-V-555	MBDY-2	MITLP-02
MIT-V-584	.584	7-7/8" (200.0 mm)	MPR-0428	MPP-V-584	MBDY-2	MITLP-02
MIT-V-621	.621	8-1/8" (206.4 mm)	MPR-0428	MPP-V-621	MBDY-2	MITLP-02
MIT-V-649	.649	7-7/8" (200.0 mm)	MPR-0428	MPP-V-649	MBDY-2	MITLP-02
MIT-V-670	.670	8-3/16" (208.0 mm)	MPR-0428	MPP-V-670	MBDY-2	MITLP-02
MIT-V-712	.712	7-7/8" (200.0 mm)	MPR-0428	MPP-V-712	MBDY-2	MITLP-02
MIT-V-735	.735	8-3/16" (208.0 mm)	MPR-0428	MPP-V-735	MBDY-2	MITLP-02
MIT-V-774	.774	7-7/8" (200.0 mm)	MPR-0524	MPP-V-774	MBDY-2	MITLP-02
MIT-V-804	.804	8-1/4" (209.6 mm)	MPR-0524	MPP-V-804	MBDY-2	MITLP-02
MIT-V-837	.837	7-7/8" (200.0 mm)	MPR-0524	MPP-V-837	MBDY-2	MITLP-02
MIT-V-853	.853	8-1/4" (209.6 mm)	MPR-0524	MPP-V-853	MBDY-2	MITLP-02
MIT-V-899	.899	7-7/8" (200.0 mm)	MPR-0524	MPP-V-899	MBDY-2	MITLP-02
MIT-V-919	.919	8-1/4" (209.6 mm)	MPR-0524	MPP-V-919	MBDY-2	MITLP-02
MIT-V-962	.962	7-7/8" (200.0 mm)	MPR-0524	MPP-V-962	MBDY-2	MITLP-02
MIT-V-979	.979	8-3/8" (212.7 mm)	MPR-0524	MPP-V-979	MBDY-2	MITLP-02
MIT-V-1024	1.024	7-7/8" (200.0 mm)	MPR-0524	MPP-V-1024	MBDY-2	MITLP-02
MIT-V-1054	1.054	8-7/16" (214.3 mm)	MPR-0524	MPP-V-1054	MBDY-2	MITLP-02
MIT-V-1087	1.087	7-7/8" (200.0 mm)	MPR-0524	MPP-V-1087	MBDY-2	MITLP-02
MIT-V-1103	1.103	8-7/16" (214.3 mm)	MPR-0524	MPP-V-1103	MBDY-2	MITLP-02
MIT-V-1149	1.149	7-7/8" (200.0 mm)	MPR-0524	MPP-V-1149	MBDY-2	MITLP-02

Manual Installation Tools for P2 Plugs

PART NUMBER	P2 PLUG SIZES	TOTAL LENGTH WITH PLUG	PULL ROD	PLUG POSITIONER	BODY & LOCATING PIN	LOCATING PIN
MIT-P2-400-440	.400-.440"	8-3/8 " (212.7 mm)	MPR-1032	MPP-P2-400-440	MBDY1	MITLP-01
MIT-P2-460-500	.460-.500"	8-3/8 " (212.7 mm)	MPR-1228	MPP-P2-460-500	MBDY1	MITLP-01
MIT-P2-520-580	.520-.580"	8-3/8 " (212.7 mm)	MPR-1228	MPP-P2-520-580	MBDY2	MITLP-02
MIT-P2-600-680	.600-.680"	8-3/8 " (212.7 mm)	MPR-0428	MPP-P2-600-680	MBDY2	MITLP-02
MIT-P2-700-780	.700-.780"	8-3/8 " (212.7 mm)	MPR-0428	MPP-P2-700-780	MBDY2	MITLP-02
MIT-P2-800-860	.800-.860"	8-3/8 " (212.7 mm)	MPR-0428	MPP-P2-800-860	MBDY2	MITLP-02
MIT-P2-880-960	.880-.960"	8-3/8 " (212.7 mm)	MPR-0524	MPP-P2-880-960	MBDY2	MITLP-02
MIT-P2-980-1060	.980-1.060"	8-3/8 " (212.7 mm)	MPR-0524	MPP-P2-980-1060	MBDY2	MITLP-02
MIT-P2-1080-1160	1.080-1.160"	8-3/8 " (212.7 mm)	MPR-0524	MPP-P2-1080-1160	MBDY2	MITLP-02